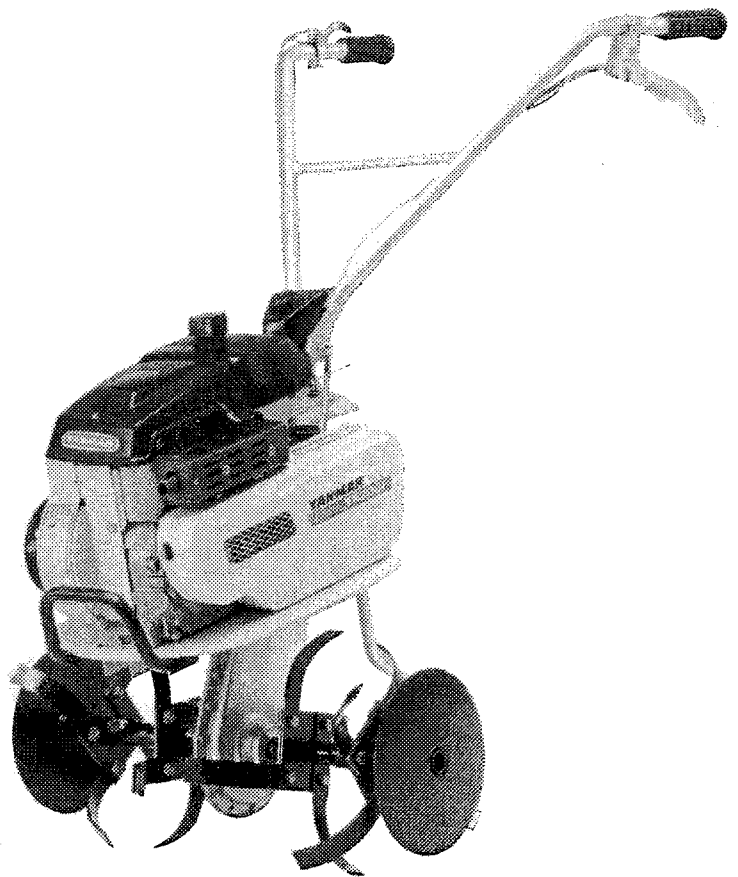


YANMAR MINI TILLER

PARTS CATALOG

Pub. No. NPC-1378



MODEL
YK200F

YANMAR MINITILLER

YK200F

PARTS CATALOG

NPC-1378



YANMAR AGRICULTURAL EQUIPMENT CO.,LTD.

TABLE OF CONTENTS

PRIOR TO USE OF THIS PARTS CATALOG

1. HOW TO READ THIS PARTS CATALOG
2. RE. PART NO.

1. CRANK CASE
2. CRANK SHAFT. PISTON
3. MAGNETO RECOIL
4. CARBURETOR
5. GOVERNOR
6. ENGINE
7. HOUSING. MISSION
8. FENDER
9. HANDLE
10. FUEL TANK
11. LABEL 1 (SPANISH)
12. LABEL 2 (FRENCH)
13. TOOLS

Prior to Use of This Parts Catalog

An important role played by a Parts Catalog like this is that it helps you to find out the accurate Part No. of the required part and link this finding with correct ordering of parts. Consequently, be sure to read "How to Read This Parts Catalog" prior to its use.

① HOW TO READ THIS PARTS CATALOG

- 1-1. Every illustration in this Parts Catalog has been depicted under the condition of viewing the machine diagonally from upper left as facing toward the forward direction of this machine.
- 1-2. Matters of mention given on the list side (text) of this Parts Catalog shall be explained according to numbers mentioned below:

| | |
|-------|---|
| Model | ① |
|-------|---|

② _____ ③ _____

| | |
|---------------|---|
| Date Renewed | ⑤ |
| Date Prepared | ④ |

| REF. NO. | LEVEL | ORDER DIV. | PART NO. | DESCRIPTION | Q'TY | INTER-CHANGE-ABILITY | MODEL DIV. | EFFECTIVE MACHINE NO. | PKG. UNIT | AP DIV. |
|---------------------|-------|------------|----------|-------------|----------------|----------------------|------------|-----------------------|-----------|---------|
| ⑥ | ⑦ | ⑧ | ⑨ | ⑩ | ⑪ | ⑫ | ⑬ | ⑭ | ⑮ | ⑯ |
| *** ⑰ *** | | | | | | | | | | |
| Parts Catalog No. ⑱ | | | | | Control Code ⑲ | | | | | |

- ① Model Refers to Model of the pertinent Parts Catalog. "A" or "B" of Model framework corresponds to "A" or "B" given under the Model Div. column.
- ② Group No. No. corresponding to Group Name and may substitute for Page No.

- ③ Group Name Is expressed by description of the major part per group of parts classified functionally.
- ④ Date prepared Refers to the date the pertinent parts Catalog is prepared.
- ⑤ Date renewed In the case of an alteration in matters of mention given on the list due to such as parts change effected after Parts Catalog is prepared, refers to the date renewed of superseding new page.
- ⑥ Ref. No. Links illustration to Part No. by coinciding No. shown in illustration with the corresponding Ref. No. given on the list.
- ⑦ Level Expresses the nature of components of Ass'y or Comp. Part by ●-marked level indication.

- ⑧ Order division In the case where parts business is henceforth operated with new part, * mark is given to old part. In that case, please order the new part.
- ⑨ Part No. Refer to the later mentioned item "Re. Page No."
- ⑩ Description Refers to Part Name which may comprise of terms, dimension, symbol, etc.
- ⑪ Q'ty Refers to quantity per Part No.
- ⑫ Interchangeability . In the case where parts change is effected, the following interchangeability symbol is indicated for new part:

| Symbol | Interchangeability | Contents |
|--------|--|---|
| N | New $\begin{array}{c} \rightarrow \circ \\ \leftarrow \times \end{array}$ Old | New part is interchangeable for old part, but not interchangeable in the other way around. |
| P | New $\begin{array}{c} \rightarrow \circ \\ \leftarrow \times \end{array}$ Old | Same as the case of Symbol N, but supply of old part will be suspended and new part will be sold. |
| Q | New $\begin{array}{c} \rightarrow \times \\ \leftarrow \circ \end{array}$ Old | New part is not interchangeable for old part, but interchangeable in the other way around. |
| R | New $\begin{array}{c} \rightarrow \circ \\ \leftarrow \circ \end{array}$ Old | Interchangeable between new and old parts. |
| S | New $\begin{array}{c} \rightarrow \times \\ \leftarrow \times \end{array}$ Old | Not interchangeable between new and old parts. |
| W | | Newly added part |
| Z | | Discontinued part |

EXAMPLE

| | |
|-------|---|
| MODEL | A |
| | B |

YM1610D

31. FRONT WHEEL TIRE

| | |
|---------------|----------|
| Date Renewed | |
| Date Prepared | 79.02.13 |

| REF. NO. | LEVEL | ORDER DIV. | PART NO. | DESCRIPTION | Q'TY | INTER-CHANGE-ABILITY | MODEL DIV. | EFFECTIVE MACHINE NO. | PKG. UNIT | AP DIV. |
|----------|-------|------------|--------------|-------------------------------|------|----------------------|------------|-----------------------|-----------|---------|
| 1 | . | | 794421-14700 | FRONT WHEEL TIRE ASS'Y, left | 1 | | | | 1 | |
| 2 | .. | | 194158-14700 | WHEEL DC4JA*14W COMP. | 1 | | | | 1 | |
| 3 | .. | | 194421-14800 | TIRE 5-14 COMP. | 1 | | | | 1 | |
| 4 | ... | | 194421-14810 | TIRE | 1 | | | | 1 | |
| 5 | ... | | 194191-14820 | TUBE | 1 | | | | 1 | |
| 6 | . | | 794421-14800 | FRONT WHEEL TIRE ASS'Y, right | 1 | | | | 1 | |
| 7 | .. | | 194158-14700 | WHEEL DC4JA*14W COMP. | 1 | | | | 1 | |
| 8 | .. | | 194421-14800 | TIRE 5-14 COMP. | 1 | | | | 1 | |
| 9 | ... | | 194421- | | 1 | | | | 1 | |
| 10 | | | | | 1 | | | | 1 | |

⑬ Model division Refers to division "A" or "B" in correspondence to Model indicated within Model framework ①.

⑭ Effective Machine No. In the case of parts change, Effective Machine No. pertinent to Model ("A" or "B") corresponding to Model framework is indicated for New Type Parts.

EXAMPLE

| | |
|-------|---|
| MODEL | A |
| | B |

YM1610
YM1610D

51. REAR AXLE CASE

| | |
|---------------|----------|
| Date Renewed | 79.04.09 |
| Date Prepared | 79.02.13 |

| REF. NO. | LEVEL | ORDER DIV. | PART NO. | DESCRIPTION | Q'TY | INTER-CHANGE-ABILITY | MODEL DIV. | EFFECTIVE MACHINE NO. | PKG. UNIT | AP DIV. |
|----------|-------|------------|--------------|----------------------|------|----------------------|------------|-----------------------|-----------|---------|
| 1 | . | | 194420-24300 | REAR AXLE CASE COMP. | 1 | | | | 1 | |
| 2 | .. | | 22351-100020 | ROLL PIN 10x20 | 6 | | | | 10 | |
| 3 | .. | | 26216-080182 | STUD BOLT 8x18 | 4 | | | | 2 | |
| 4 | .. | | 26216-100252 | STUD BOLT 10x25 | 4 | | | | 10 | |
| 5 | .. | | 26216-120352 | STUD BOLT 12x35 | 4 | | | | 2 | |
| 6 | . | | 194151-24770 | OIL CAP 14 | 1 | | | | 1 | |
| 7 | . | | 194420-24970 | COVER, strainer | 1 | | | | 1 | |
| 8 | . | | 194420-25900 | BEARING CAP | 1 | | | | 1 | |
| 9 | . | | 194420-26910 | GUIDE, P.T.O. shaft | 1 | | | | 1 | |
| 10 | . | | 22217-060000 | SPRING WASHER 6 | 3 | | | | 10 | |
| 11 | . | | 22217-080000 | SPRING WASHER 8 | 4 | | | | 50 | |
| 12 | . | | 194145-62420 | CUSHION, assist bar | 4 | W | A | 00183 + | 1 | |
| | | | | | | | B | 00172 + | 1 | |
| 13 | . | | 23871-030000 | TAPER PLUG PT3/8 | 1 | | | | 5 | |
| 14 | . | | 24311-000160 | O-RING P-16 | 1 | | | | 5 | |
| 15 | . | | 26116-060102 | BOLT M6x10 | | | | | 30 | |
| 16 | . | | 26116-080202 | BOLT | | | | | | |
| | | | 26013-1202 | BOLT | | | | | | |

Level indication in the aforementioned example shows the following meanings:

"FRONT WHEEL TIRE ASS'Y, left" of Ref. No. 1 (Level.) is indicated to consist of parts of Ref. No. 2 & 3 (Level..). Furthermore, "TIRE 5-14 COMP." of Ref. No. 3 is indicated to consist of parts of Ref. No. 4 & 5 (Level...).

Effective Machine No. indications in the aforementioned

example show the following meanings:

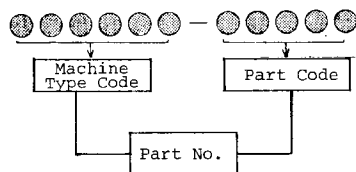
For Part No. 194145-62420 of Ref. No. 12, "A" and "B" are given under Model Div. column, and they are indicating the respective Effective Machine Nos. Model corresponding to "A" given under Model Div. column is YM1610, and its corresponding Effective Machine No. is 00183→ (from M/#00183) as given under Effective Machine No. column. Similarly, Model corresponding to "B" of Model Div. column is YM1610D; its corresponding Effective Machine No., 00172→ (from M/#00172). And for these Effective Machine Nos., the part in question is a Newly Added Part (as so indicated by "W" given under Interchangeability column.

- ⑱ Part Catalog No. ... Refers to Preparing No. of Parts Catalog.
- ⑲ Control Code Code to control illustration and list.
- ⑳ Item changed In the case where listing page is renewed, * given outside the columns refers to which part changed.

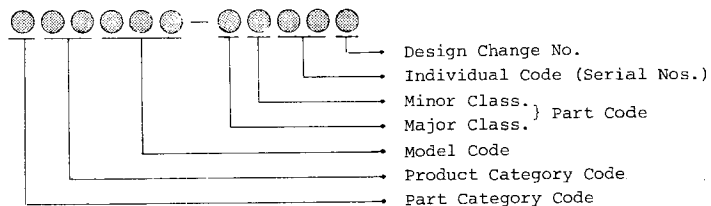
- ⑮ Packing unit Refers to packing unit of respective parts.
- ⑯ AP division Under this column, a part handled as Attachment in parts supply operation is indicated with "A".
- ⑰ *** Continued to next page ***
..... So indicated only in the case where the list of identical Group No. spreads over to the next page (Location No.)

2 RE. PART NO.

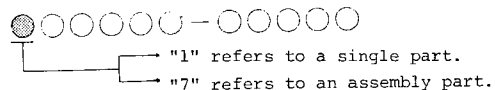
2-1. In the case of YANMAR Exclusively Genuine Parts, Part No. roughly comprises of Machine Type Code (six figures) and Part Code (five figures) as shown below:



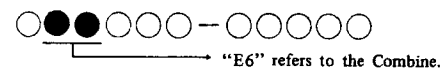
2-2. Furthermore, Machine Type Code and Part Code respectively have the following meanings:



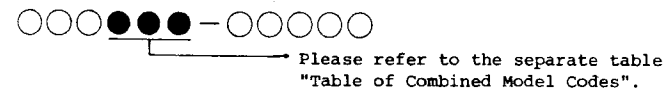
2-2-1. Part Category Code ("1" or "7")



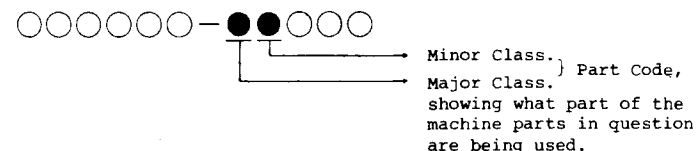
2-2-2. Product Category Code



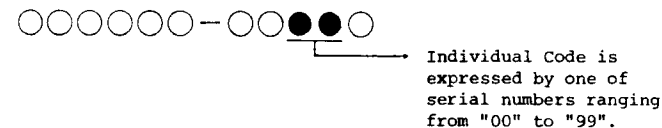
2-2-3. Model Code ("000" ~ "999")



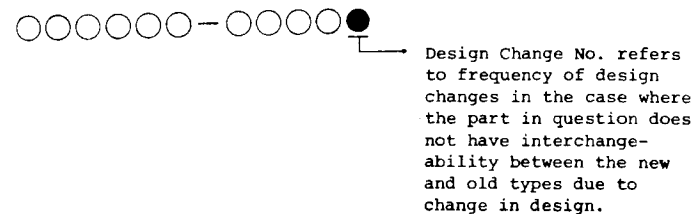
2-2-4. Part Code ("00" ~ "99")



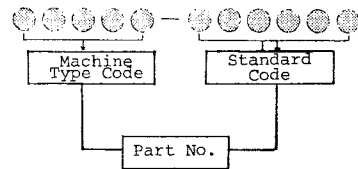
2-2-5. Individual Code ("00" ~ "99")



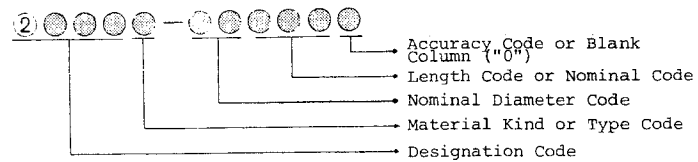
2-2-6. Design Change No.



2-3. In the case of Second Category Parts (Parts on the Market) which differ from the aforementioned YANMAR Exclusively Genuine Parts, Part No. roughly comprises of Machine Type Code (five figures) and Standard Code (six figures) as shown below:



2-3-1. Part No. of Second Category Parts is outlined below although the nature of makeup of Machine Type Code and Standard Code differs according to items. (Nevertheless, the first place of Machine Type Code always starts with "2".)

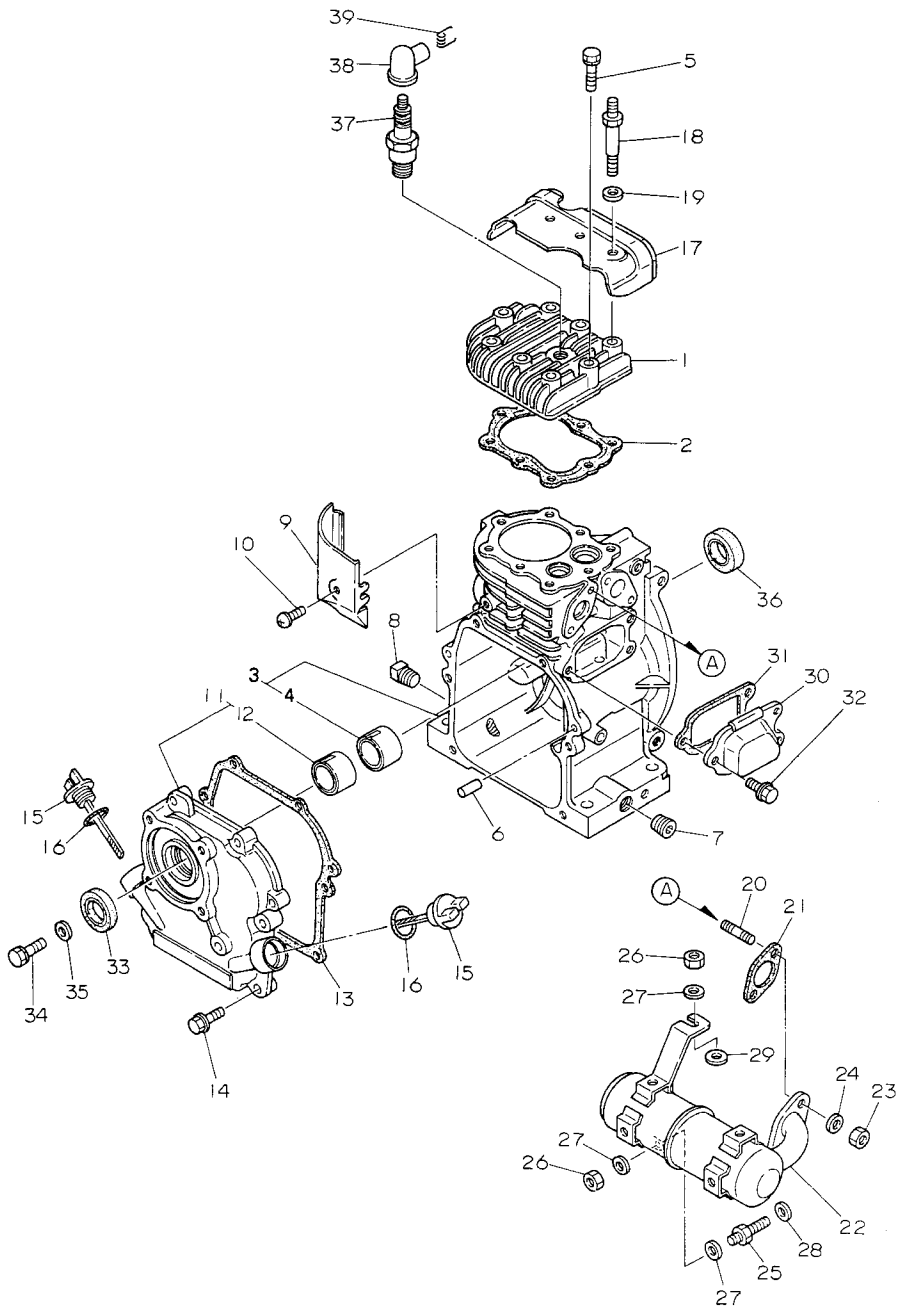


MODEL A FA76C-B3Z
 MODEL B

Date Renewed
 Date Prepared 81.07.14

1. CRANK CASE

1. CRANK CASE



| REF. NO. | LEVEL | QTY | PART NO. | DESCRIPTION | Q'TY | EFFECTIVE MACHINE NO. | PKG. UNIT | AS B'Y |
|----------|-------|-----|--------------|----------------------|------|-----------------------|-----------|--------|
| | | | | | | | | |
| 1 | . | 1 | 124501-11110 | HEAD, CYLINDER | 1 | | 1 | |
| 2 | . | 1 | 124501-11210 | GASKET | 1 | | 1 | |
| 3 | . | 1 | 124501-41101 | CRANK CASE ASSY | 1 | | 1 | |
| 4 | . | 1 | 124501-42110 | BEARING | 1 | | 1 | |
| 5 | . | 3 | 26013-060402 | BOLT 6X40 | 3 | | 20 | |
| 6 | . | 2 | 120056-06120 | PIN, DOWEL | 2 | | 10 | |
| 7 | . | 1 | 124595-74410 | PLUG | 1 | | 1 | |
| 8 | . | 1 | 124401-74411 | PLUG, DRAIN | 1 | | 5 | |
| 9 | . | 1 | 124501-16320 | COVER, CYLINDER | 1 | | 1 | |
| 10 | . | 1 | 26021-050102 | SCREW 5X10 | 1 | | 30 | |
| 11 | . | 1 | 124501-41200 | SIDE BASE ASSY | 1 | | 1 | |
| 12 | . | 1 | 124501-42110 | BEARING | 1 | | 1 | |
| 13 | . | 1 | 124501-41240 | GASKET | 1 | | 5 | |
| 14 | . | 5 | 120015-06220 | BOLT | 5 | | 10 | |
| 15 | . | 2 | 124401-74110 | GAUGE OIL | 2 | | 1 | |
| 16 | . | 2 | 24311-0C0150 | O-RING P-15 | 2 | | 5 | |
| 17 | . | 1 | 124595-16310 | COVER, CYLINDER HEAD | 1 | | 1 | |
| 18 | . | 5 | 124596-11810 | BOLT | 5 | | 1 | |
| 19 | . | 5 | 22117-060000 | WASHER 6 | 5 | | 100 | |
| 20 | . | 2 | 26217-060162 | STUD 6X16 | 2 | | 5 | |
| 21 | . | 1 | 120075-14420 | GASKET | 1 | | 5 | |
| 22 | . | 1 | 124595-14100 | MUFFLER ASSY | 1 | | 1 | |
| 23 | . | 2 | 26717-060002 | NUT 6 | 2 | | 20 | |
| 24 | . | 2 | 12137-060000 | WASHER 6 | 2 | | 50 | |
| 25 | . | 1 | 124595-41650 | BOLT | 1 | | 5 | |
| 26 | . | 2 | 26717-060002 | NUT 6 | 2 | | 20 | |
| 27 | . | 3 | 22137-060000 | WASHER 6 | 3 | | 50 | |
| 28 | . | 1 | 22117-060000 | WASHER 6 | 1 | | 100 | |
| 29 | . | 1 | 122750-23830 | WASHER, PULLEY | 1 | | 10 | |
| 30 | . | 1 | 124501-12310 | COVER, INSPECTION | 1 | | 1 | |
| 31 | . | 1 | 124501-12320 | GASKET | 1 | | 5 | |
| 32 | . | 1 | 120015-06120 | BOLT | 1 | | 10 | |
| 33 | . | 1 | 124501-42310 | SEAL, OIL | 1 | | 1 | |
| 34 | . | 1 | 120014-06180 | BOLT | 1 | | 10 | |
| 35 | . | 1 | 122750-23830 | WASHER, PULLEY | 1 | | 10 | |
| 36 | . | 1 | 124501-42310 | SEAL, OIL | 1 | | 1 | |
| 37 | . | 1 | 124491-84100 | PLUG, SPARK | 1 | | 1 | |
| 38 | . | 1 | 127270-84180 | CAP PLUG | 1 | | 5 | |
| 39 | . | 1 | 127270-84190 | SPRING | 1 | | 1 | |

Parts Catalog NO.
 NPC-1378

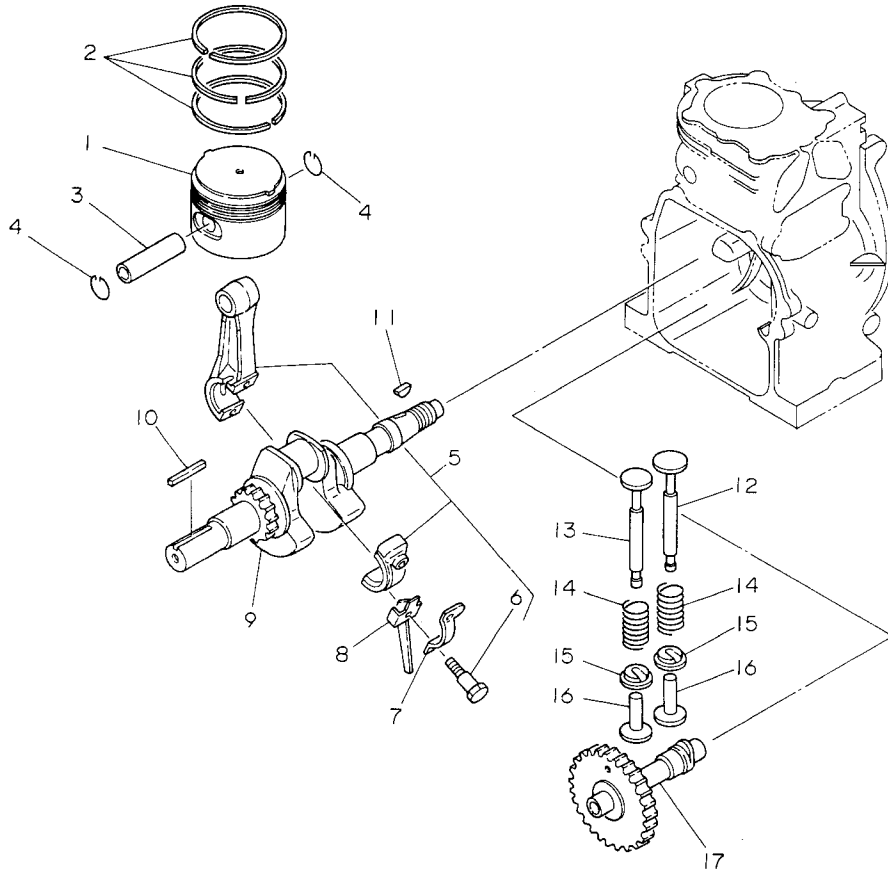
Control Code
 DZ4595-10000

MODEL A FA76C-B3Z
 MODEL B

2. CRANK SHAFT, PISTON

Date Renewed
 Date Prepared 81.07.14

2. CRANK SHAFT, PISTON



| REF. NO. | LEVEL | REF. KEY | PART NO. | DESCRIPTION | Q'TY | INTER. ABILITY | MODEL DIV. | EFFECTIVE MACHINE NO. | PKG. UNIT | PKG. QTY |
|----------|-------|----------|--------------|----------------------|------|----------------|------------|-----------------------|-----------|----------|
| 1 | . | | 1Z4501-31110 | PISTON | 1 | | | | | 1 |
| 2 | . | | 1Z4598-30100 | PISTON RING SET | 1 | | | | | 1 |
| 3 | . | | 1Z4501-31210 | PIN, PISTON | 1 | | | | | 1 |
| 4 | . | | 1Z4501-31220 | RING, SANP | 2 | | | | | 5 |
| 5 | . | | 1Z4501-32400 | CONNECTING ROD ASSY | 1 | | | | | 1 |
| 6 | .. | | 1Z4501-32450 | BOLT, CONNECTING ROD | 2 | | | | | 1 |
| 7 | . | | 1Z4501-32480 | WASHER, LOCK | 1 | | | | | 5 |
| 8 | . | | 1Z4501-32490 | ARM | 1 | | | | | 1 |
| 9 | . | | 1Z4596-32110 | CRANK SHAF ASSY | 1 | | | | | 1 |
| 10 | . | | 1Z0050-04250 | KEY | 1 | | | | | 10 |
| 11 | . | | 1Z2750-23710 | KEY | 1 | | | | | 5 |
| 12 | . | | 1Z4501-21100 | VALVE, INLET | 1 | | | | | 1 |
| 13 | . | | 1Z4501-21120 | VALVE, EXHAUST | 1 | | | | | 1 |
| 14 | . | | 1Z4501-21130 | SPRING, VALVE | 2 | | | | | 5 |
| 15 | . | | 1Z4501-21160 | RETAINER | 2 | | | | | 5 |
| 16 | . | | 1Z4501-22110 | TAPPET | 2 | | | | | 1 |
| 17 | . | | 1Z4501-23110 | CAM GEAR ASSY | 1 | | | | | 1 |

Parts Catalog NO.
 NPC-1378

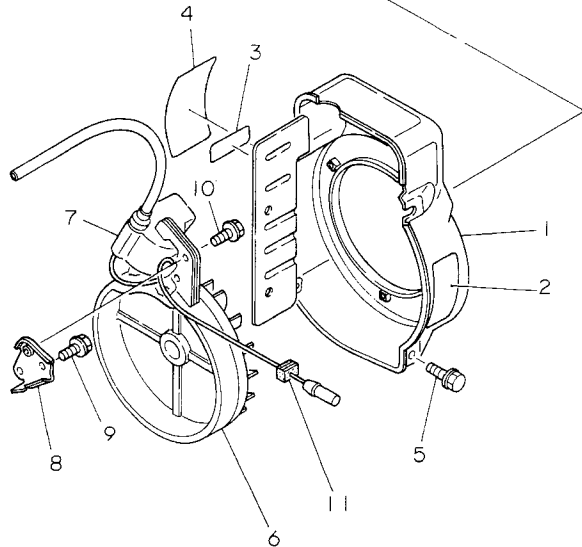
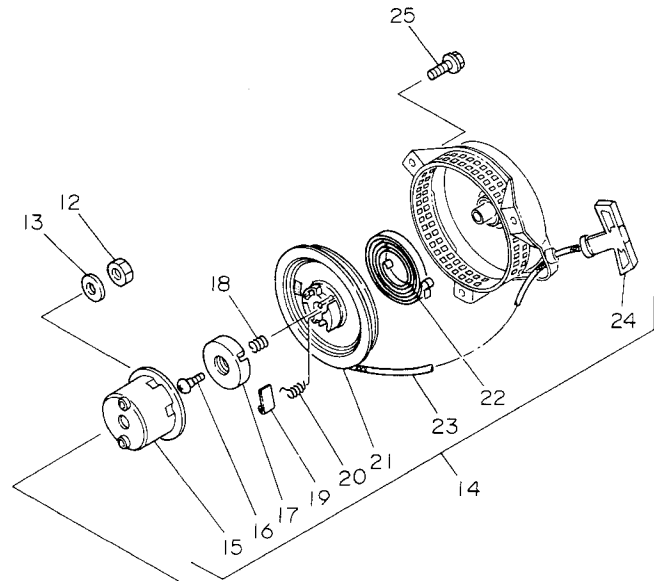
Control Code
 DZ4595-11000

MODEL A FA76D-B3Z
B

Date Renewed
Date Prepared 81-07-14

3. MAGNETO RECOIL

3. MAGNETO RECOIL



| REF. NO. | LEVEL | ORDER DIV. | PART NO. | DESCRIPTION | QTY | INTER. QUALITY | MODEL DIV. | EFFECTIVE MACHINE NO. | PKG. UNIT | AP DIV. |
|----------|-------|------------|--------------|---------------------|-----|----------------|------------|-----------------------|-----------|---------|
| 1 | . | | 124595-16110 | CASE, SPIRAL | 1 | | | | 1 | |
| 2 | . | | 124596-08110 | LABEL | 1 | | | | 1 | |
| 3 | . | | 124594-08130 | LABEL | 1 | | | | 1 | |
| 4 | . | | 124594-08140 | LABEL | 1 | | | | 1 | |
| 5 | . | | 120015-06100 | BOLT | 4 | | | | 10 | |
| 6 | . | | 124596-81110 | FLYWHEEL | 1 | | | | 1 | |
| 7 | . | | 124596-84650 | IGNITER | 1 | | | | 1 | |
| 8 | . | | 124501-81370 | BRACKET | 1 | | | | 5 | |
| 9 | . | | 26107-050102 | BOLT | 1 | | | | 20 | |
| 10 | . | | 26107-050202 | BOLT | 2 | | | | 20 | |
| 11 | . | | 124401-81640 | GROMMET | 1 | | | | 5 | |
| 12 | . | | 26747-120002 | NUT 12 | 1 | | | | 20 | |
| 13 | . | | 124501-34820 | WASHER | 1 | | | | 5 | |
| 14 | . | | 124595-34300 | RECOIL STARTER ASSY | 1 | | | | 1 | |
| 15 | .. | | 124501-34320 | PULLEY | 1 | | | | 1 | |
| 16 | .. | | 124501-34470 | SCREW | 1 | | | | 5 | |
| 17 | .. | | 124401-34490 | RETAINER | 1 | | | | 1 | |
| 18 | .. | | 124401-34460 | SPRING | 1 | | | | 5 | |
| 19 | .. | | 124401-34450 | PAWL | 1 | | | | 5 | |
| 20 | .. | | 124401-34440 | SPRING RETURN | 1 | | | | 5 | |
| 21 | .. | | 124501-34410 | REEL, RECOIL | 1 | | | | 1 | |
| 22 | .. | | 124401-34520 | SPRING RECOIL | 1 | | | | 1 | |
| 23 | .. | | 124596-34530 | ROPE | 1 | | | | 1 | |
| 24 | .. | | 1228C1-34540 | HANDEL | 1 | | | | 1 | |
| 25 | . | | 120016-06100 | BOLT | 3 | | | | 10 | |

Parts Catalog NO.
NPC-1378

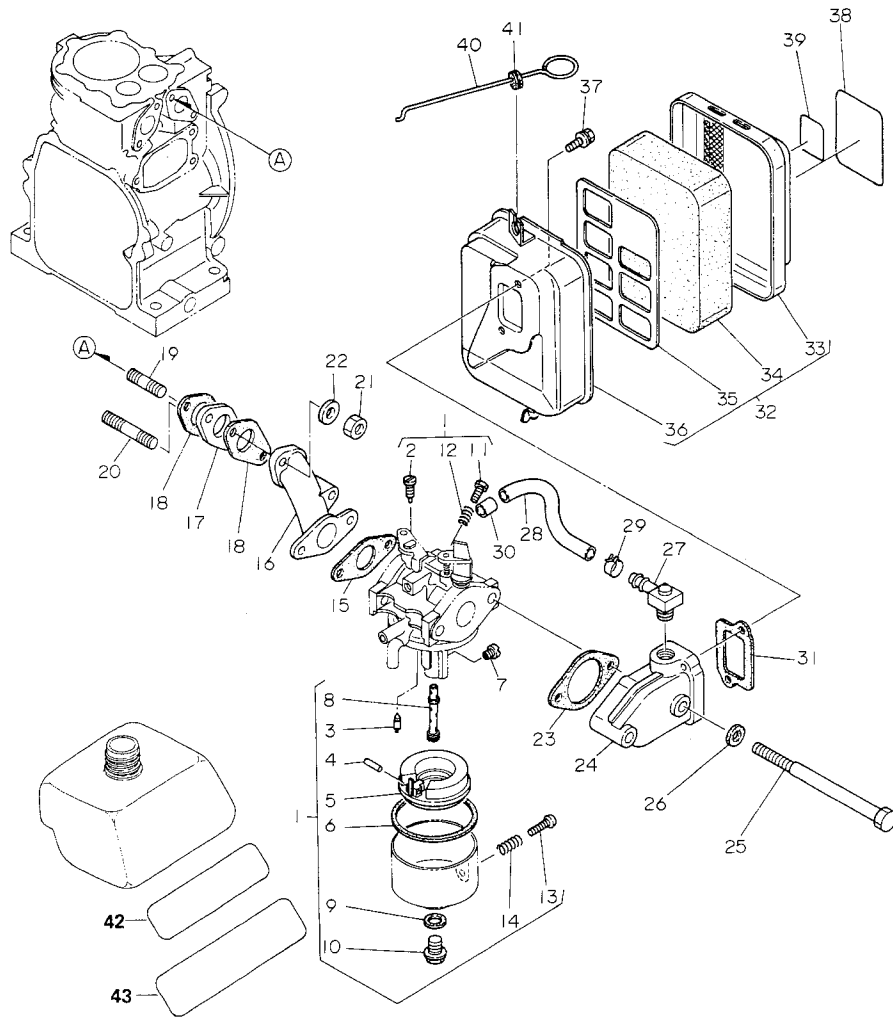
Control Code
DZ4595-20100

MODEL A FA76D-B3Z
 MODEL B

Date Renewed
 Date Prepared 81.07.14

4. CARBURETOR

4. CARBURETOR



| REF. NO. | LEVEL | CARRIER DIV. | PART NO. | DESCRIPTION | Q'TY | INTER-ASSEMBLY DIV. | MODEL DIV. | EFFECTIVE MACHINE NO. | PKG. UNIT | AP. NO. |
|----------|-------|--------------|--------------|--------------------|------|---------------------|------------|-----------------------|-----------|---------|
| 1 | . | | 124595-61000 | CARBURETOR ASSY | 1 | | | | | 1 |
| 2 | .. | | 122759-61120 | JET, PILOT | 1 | | | | | 1 |
| 3 | ... | | 124499-61220 | VALVE NEEDLE | 1 | | | | | 5 |
| 4 | ... | | 124499-61270 | PIN FLGAT | 1 | | | | | 5 |
| 5 | ... | | 124595-61260 | FLOAT | 1 | | | | | 1 |
| 6 | --- | | 124598-61280 | GASKET | 1 | | | | | 1 |
| 7 | --- | | 124595-61320 | JET, MAIN | 1 | | | | | 1 |
| 8 | --- | | 124596-61290 | NOZZLE, MAIN | 1 | | | | | 1 |
| 9 | --- | | 124499-61590 | GASKET | 1 | | | | | 5 |
| 10 | --- | | 124596-61430 | BOLT | 1 | | | | | 1 |
| 11 | --- | | 123650-61140 | SCREW PILOT | 1 | | | | | 1 |
| 12 | --- | | 122750-61160 | SPRING | 1 | | | | | 5 |
| 13 | --- | | 125470-61330 | SCREW DRAIN | 1 | | | | | 1 |
| 14 | --- | | 123122-61160 | SPRING | 1 | | | | | 5 |
| 15 | --- | | 124599-61850 | GASKET | 1 | | | | | 5 |
| 16 | . | | 124599-61820 | PIPE, INLET | 1 | | | | | 1 |
| 17 | . | | 124599-61810 | INSULATOR | 1 | | | | | 5 |
| 18 | . | | 124501-61840 | GASKET | 2 | | | | | 5 |
| 19 | . | | 26217-06020 | STUD 6X20 | 1 | | | | | 5 |
| 20 | . | | 26216-060352 | STUD | 1 | | | | | 5 |
| 21 | . | | 26717-060002 | NUT 6 | 2 | | | | | 20 |
| 22 | . | | 22137-060000 | WASHER 6 | 2 | | | | | 50 |
| 23 | . | | 124599-13320 | GASKET | 1 | | | | | 5 |
| 24 | . | | 124595-13310 | PIPE, INLET | 1 | | | | | 1 |
| 25 | . | | 26116-060902 | BOLT 6X90 | 2 | | | | | 10 |
| 26 | . | | 120075-06000 | GASKET | 2 | | | | | 10 |
| 27 | . | | 122769-15330 | ELBOW | 1 | | | | | 1 |
| 28 | . | | 120070-07370 | TUBE RUBBER | 1 | | | | | 1 |
| 29 | . | | 123679-15320 | CLIP | 1 | | | | | 10 |
| 30 | . | | 124401-13410 | PIPE | 1 | | | | | 5 |
| 31 | . | | 124595-13320 | GASKET | 1 | | | | | 5 |
| 32 | . | | 124595-13100 | AIR CLEANER ASSY | 1 | | | | | 1 |
| 33 | .. | | 124595-13210 | COVER, AIR CLEANER | 1 | | | | | 1 |
| 34 | ... | | 124595-13120 | ELEMENT | 1 | | | | | 1 |
| 35 | ... | | 124595-13130 | PLATE, AIR CLEANER | 1 | | | | | 5 |
| 36 | --- | | 124595-13110 | CASE, AIR CLEANER | 1 | | | | | 1 |
| 37 | . | | 124413-13160 | BOLT | 2 | | | | | 5 |
| 38 | . | | 124594-08270 | LABEL | 1 | | | | | 1 |
| 39 | . | | 124414-08260 | LABEL | 1 | | | | | 1 |
| 40 | . | | 124595-55130 | LINK | 1 | | | | | 5 |
| 41 | . | | 127196-55150 | GROMMET | 1 | | | | | 5 |
| 42 | . | | 125479-08220 | LABEL | 1 | | | | | 1 |
| 43 | . | | 125479-08510 | LABEL | 1 | | | | | 1 |

Parts Catalog NO.
 NPC-1378

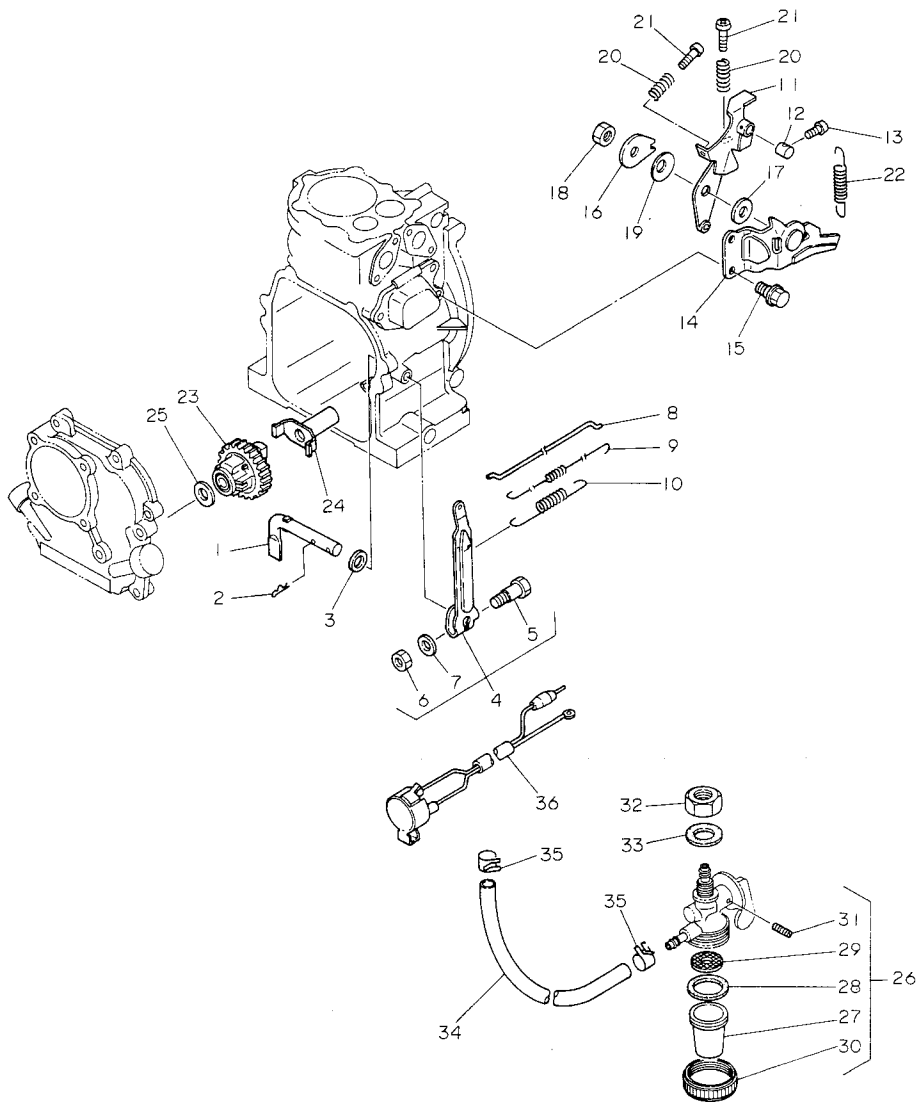
Control Code
 DZ4595-30100

MODEL A FA76D-B3Z
 MODEL B

5. GOVERNOR

Date Renewed
 Date Prepared 81.07.14

5. GOVERNOR



| REF. NO. | LEVEL | ORDER DIV. | PART NO. | DESCRIPTION | QTY | ENTER BY | DATE | EFFECTIVE MACHINE NO. | PKG. UNIT | BY |
|----------|-------|------------|--------------|------------------|-----|----------|------|-----------------------|-----------|----|
| 1 | . | | 124501-51220 | TIP, GOVERNOR | 1 | | | | 1 | |
| 2 | . | | 22360-060000 | SNAP PIN 6 | 1 | | | | 30 | |
| 3 | . | | 22117-060000 | WASHER 6 | 1 | | | | 100 | |
| 4 | . | | 124599-52100 | ARM, GOVERNOR | 1 | | | | 1 | |
| 5 | .. | | 120011-06220 | BOLT 6X22 | 1 | | | | 10 | |
| 6 | .. | | 26717-060002 | NUT 6 | 1 | | | | 20 | |
| 7 | .. | | 22137-060000 | WASHER 6 | 1 | | | | 50 | |
| 8 | . | | 124599-52310 | LINK, GOVERNOR | 1 | | | | 5 | |
| 9 | . | | 124599-52320 | RING, SPRING | 1 | | | | 5 | |
| 10 | . | | 124501-53140 | SPRING, GOVERNOR | 1 | | | | 1 | |
| 11 | . | | 124501-53110 | LEVER, CONTROL | 1 | | | | 1 | |
| 12 | . | | 124496-53120 | NUT | 1 | | | | 5 | |
| 13 | . | | 26557-040082 | SCREW 4X8 | 1 | | | | 10 | |
| 14 | . | | 124501-53350 | BRACKET | 1 | | | | 1 | |
| 15 | . | | 120015-06120 | BOLT | 2 | | | | 10 | |
| 16 | . | | 124501-53890 | PLATE | 1 | | | | 5 | |
| 17 | . | | 124401-53830 | WASHER | 1 | | | | 5 | |
| 18 | . | | 124401-53850 | NUT | 1 | | | | 5 | |
| 19 | . | | 124401-53880 | SPRING | 1 | | | | 5 | |
| 20 | . | | 124401-53210 | SPRING | 2 | | | | 1 | |
| 21 | . | | 26557-040202 | SCREW 4X20 | 2 | | | | 100 | |
| 22 | . | | 124596-53170 | SPRING, RETURN | 1 | | | | 1 | |
| 23 | . | | 124501-51100 | GOVERNOR ASSY | 1 | | | | 1 | |
| 24 | . | | 124401-51210 | SLEEVE GOVERNOR | 1 | | | | 5 | |
| 25 | . | | 124401-51350 | WASHER | 1 | | | | 10 | |
| 26 | . | | 122751-65100 | FILTER ASSY. | 1 | | | | 1 | |
| 27 | .. | | 122751-65210 | POT | 1 | | | | 5 | |
| 28 | .. | | 122751-65180 | GASKET | 1 | | | | 10 | |
| 29 | .. | | 122751-65190 | STRAINER | 1 | | | | 5 | |
| 30 | .. | | 122751-65220 | NUT, RING | 1 | | | | 5 | |
| 31 | .. | | 122751-65170 | SCREW | 1 | | | | 5 | |
| 32 | . | | 122751-65270 | NUT | 1 | | | | 5 | |
| 33 | . | | 120046-10000 | WASHER TOOTHED | 1 | | | | 10 | |
| 34 | . | | 120070-43550 | TUBE | 1 | | | | 1 | |
| 35 | . | | 123679-15320 | CLIP | 4 | | | | 10 | |
| 36 | . | | 124595-85110 | SWITCH, STOP | 1 | | | | 1 | |

Parts Catalog NO.
 NPC-1378

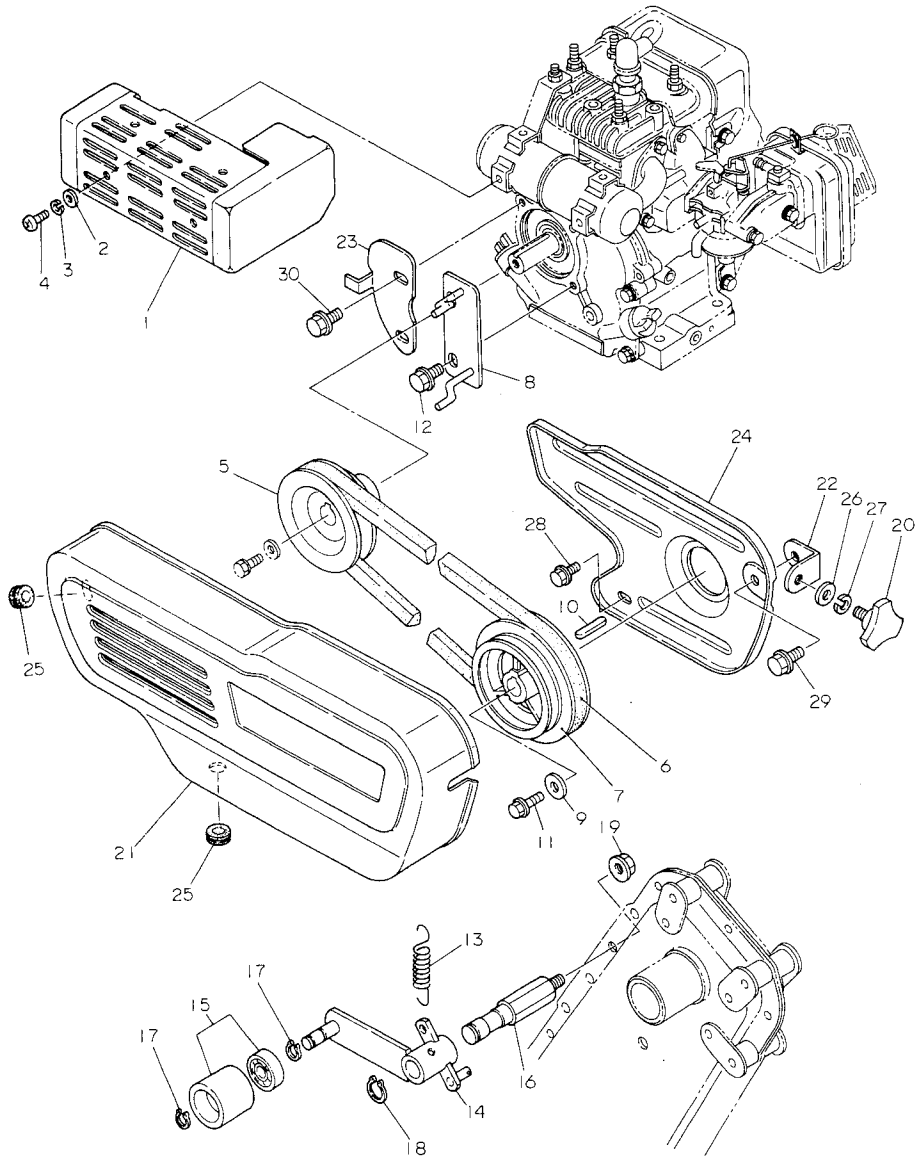
Control Code
 D24595-40000

MODEL A YK200FE
 MODEL B YK200F

6. ENGINE

Date Renewed
 Date Prepared 81.07.14

6. ENGINE



| REF. NO. | LEVEL | ORDER DIV. | PART NO. | DESCRIPTION | Q'TY | ENTER. AMOUNT | MODEL DIV. | EFFECTIVE MACHINE NO. | PKG. UNIT | AT DIV. |
|----------|-------|------------|--------------|----------------------|------|---------------|------------|-----------------------|-----------|---------|
| 1 | . | | 1A1540-62030 | COVER, MUFFLER | 1 | | | | 1 | |
| 2 | . | | 22137-050000 | WASHER 5 | 4 | | | | 50 | |
| 3 | . | | 22217-050000 | SPRING WASHER 5 | 4 | | | | 10 | |
| 4 | . | | 26557-050082 | SCREW 5X8 | 4 | | | | 10 | |
| 5 | . | | 1A1540-62400 | PULLEY, ENGINEER | 1 | | | | 1 | |
| 6 | . | | 1A1540-64500 | V-BELT LA31 | 1 | | | | 1 | |
| 7 | . | | 1A1400-11000 | PULLEY MAIN | 1 | | | | 1 | |
| 8 | . | | 1A1540-62450 | RETAINER, BELT | 1 | | | | 1 | |
| 9 | . | | 1C6020-73090 | WASHER 7 | 1 | | | | 1 | |
| 10 | . | | 22512-040302 | KEY | 1 | | | | 5 | |
| 11 | . | | 26107-060202 | BOLT | 1 | | | | 20 | |
| 12 | . | | 26107-080142 | BOLT | 2 | | | | 10 | |
| 13 | . | | 1A1400-16000 | SPRING 17-2X59 | 1 | | | | 1 | |
| 14 | . | | 1A1540-11200 | ARM COMP, TENSION | 1 | | | | 1 | |
| 15 | . | | 1A1540-14000 | ROLLER COMP, TENSION | 1 | | | | 1 | |
| 16 | . | | 1A1540-16400 | BOLT, TENSION | 1 | | | | 1 | |
| 17 | . | | 22242-000100 | CIRCLIP 10-S | 2 | | | | 20 | |
| 18 | . | | 22242-000140 | CIRCLIP 14-S | 1 | | | | 20 | |
| 19 | . | | 26367-080002 | NUT | 1 | | | | 2 | |
| 20 | . | | 1A1400-66400 | BOLT, KNOB 8X15 | 1 | | | | 1 | |
| 21 | . | | 1A1540-64000 | COVER, BELT | 1 | | | | 1 | |
| 22 | . | | 1A1540-64020 | BRACKET, BELT COVER | 1 | | | | 1 | |
| 23 | . | | 1A1540-64030 | STAY, BELT COVER | 1 | | | | 1 | |
| 24 | . | | 1A1540-64070 | GUARD, PULLEY | 1 | | | | 1 | |
| 25 | . | | 1H6020-60170 | BUSH, RUBBER | 2 | | | | 2 | |
| 26 | . | | 22137-080000 | WASHER 8 | 1 | | | | 10 | |
| 27 | . | | 22217-080000 | SPRING WASHER 8 | 1 | | | | 50 | |
| 28 | . | | 26107-060122 | BOLT 6X12 | 1 | | | | 30 | |
| 29 | . | | 26107-080142 | BOLT | 1 | | | | 10 | |
| 30 | . | | 26107-080142 | BOLT | 2 | | | | 10 | |
| 14-1 | . | | 1A1540-11210 | | | | | | | |

Parts Catalog NO.
 NPC-1378

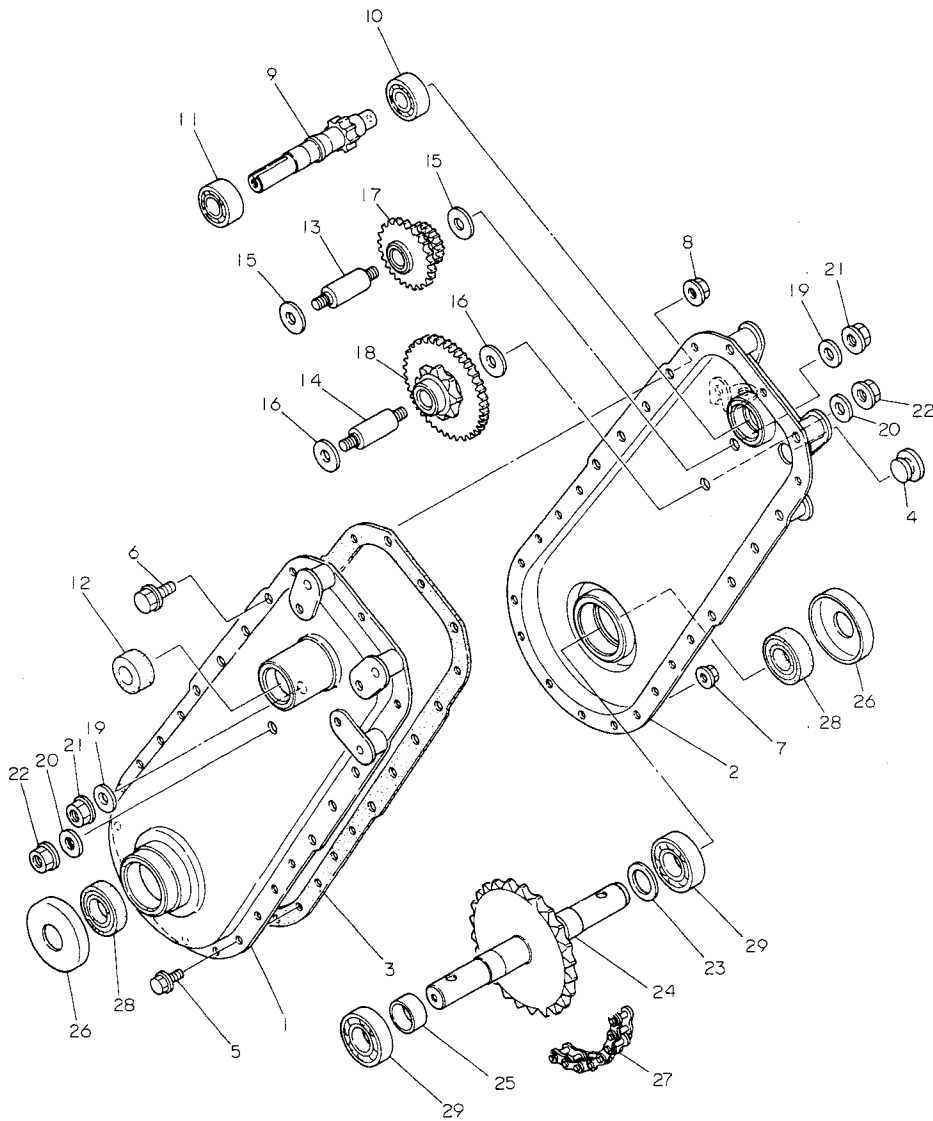
Control Code
 DA1540-11700

MODEL A YK200FE
 MODEL B YK200F

7. HOUSING. MISSION

Date Renewed
 Date Prepared 81.07.14

7. HOUSING. MISSION



| REF. NO. | LEVEL | ORIG. DIV. | PART NO. | DESCRIPTION | Q'TY | ENTER. INVENTORY ABILITY | MODEL DIV. | EFFECTIVE MACHINE NO. | PKG. UNIT | AP. DIV. |
|----------|-------|------------|--------------|---------------------|------|--------------------------|------------|-----------------------|-----------|----------|
| 1 | - | | 1A1540-21000 | HOUSING,MISSION (L) | 1 | | | | 1 | |
| 2 | - | | 1A1540-21150 | HOUSING,MISSION (R) | 1 | | | | 1 | |
| 3 | - | | 1A1540-28000 | PACKING,HOUSING | 1 | | | | 1 | |
| 4 | - | | 1A1540-28100 | CAP,OIL | 1 | | | | 1 | |
| 5 | - | | 26107-060122 | BOLT 6X12 | 16 | | | | 30 | |
| 6 | - | | 26107-080142 | BOLT | 3 | | | | 10 | |
| 7 | - | | 26367-060002 | NUT | 16 | | | | 30 | |
| 8 | - | | 26367-080002 | NUT | 3 | | | | 2 | |
| 9 | - | | 1A1540-23000 | SHAFT,MAIN | 1 | | | | 1 | |
| 10 | - | | 24101-062014 | BALL BEARING 6201 | 1 | | | | 1 | |
| 11 | - | | 24104-060024 | BALL BEARING 6002UU | 1 | | | | 1 | |
| 12 | - | | 24421-153007 | SEAL 15307 | 1 | | | | 1 | |
| 13 | - | | 1A1540-23010 | SUB-SHAFT | 1 | | | | 1 | |
| 14 | - | | 1A1540-23010 | SUB-SHAFT | 1 | | | | 1 | |
| 15 | - | | 1A1540-23100 | SPACER | 2 | | | | 1 | |
| 16 | - | | 1A1540-23100 | SPACER | 2 | | | | 1 | |
| 17 | - | | 1A1540-24000 | GEAR 13X26 | 1 | | | | 1 | |
| 18 | - | | 1A1540-24030 | END-SHAFT | 1 | | | | 1 | |
| 19 | - | | 22137-080000 | WASHER 8 | 2 | | | | 10 | |
| 20 | - | | 22137-080000 | WASHER 8 | 2 | | | | 10 | |
| 21 | - | | 26367-080002 | NUT | 2 | | | | 2 | |
| 22 | - | | 26367-080002 | NUT | 2 | | | | 2 | |
| 23 | - | | 1A1105-23200 | LINER 30X20.2X10 | 1 | | | | 1 | |
| 24 | - | | 1A1540-23020 | WHEEL SHAFT | 1 | | | | 1 | |
| 25 | - | | 1A1540-23120 | COLLAR | 1 | | | | 1 | |
| 26 | - | | 1A1540-23130 | COVER | 2 | | | | 1 | |
| 27 | - | | 1A1540-24100 | CHAIN 12.7X48 | 1 | | | | 1 | |
| 28 | - | | 1A1540-28250 | SEAL,OIL 20X40X10 | 2 | | | | 1 | |
| 29 | - | | 24101-062044 | BALL BEARING 6204 | 2 | | | | 1 | |

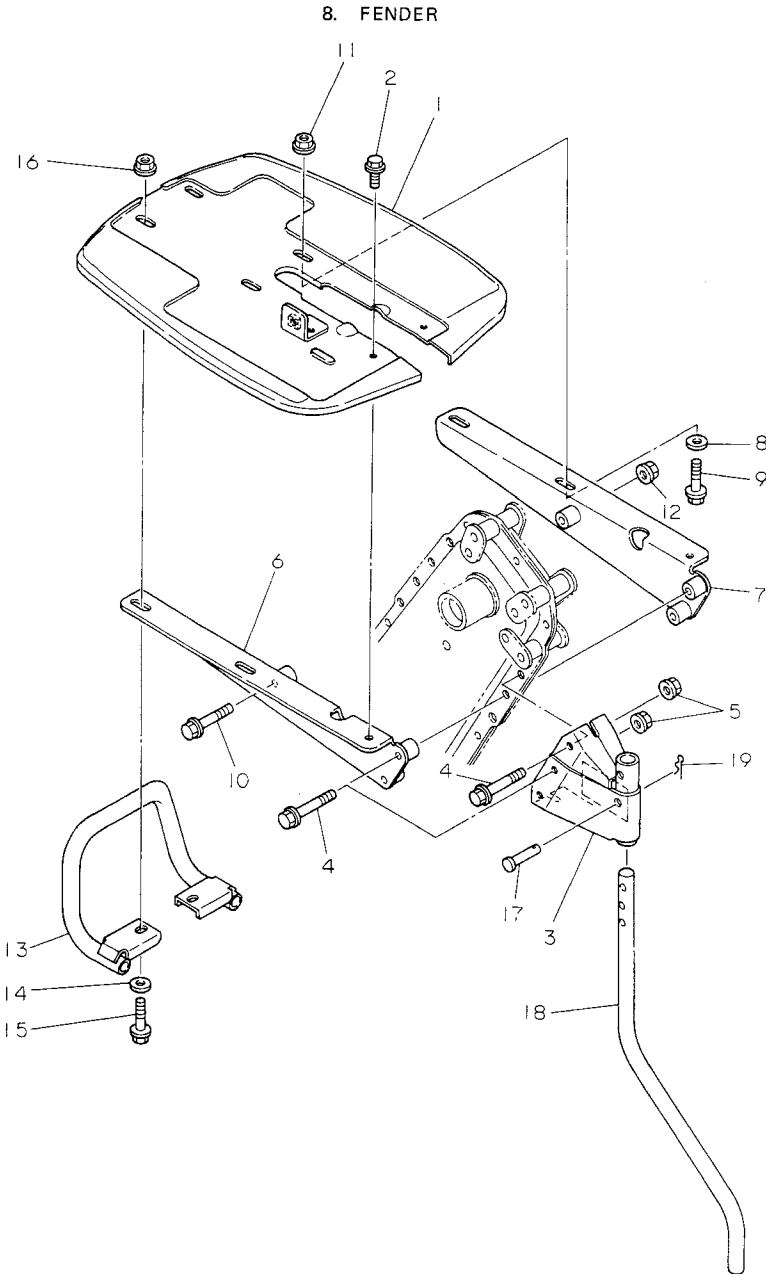
Parts Catalog NO.
 NPC-1378

Control Code
 DA1540-21000

MODEL A YK20GFE
 MODEL B YK20GF

8. FENDER

Date Renewed
 Date Prepared 81-07-14



| REF. NO. | LEVEL | ORDER UNITS | PART NO. | DESCRIPTION | Q'TY | INTER. COMP. AMOUNT | MODEL DIV. | EFFECTIVE MACHINE NO. | PKG. UNIT | UNITS |
|----------|-------|-------------|--------------|--------------|------|---------------------|------------|-----------------------|-----------|-------|
| 1 | . | | 1A1540-61150 | FENDER COMP | 1 | | | | | 1 |
| 2 | . | | 26107-060122 | BOLT 6X12 | 2 | | | | | 30 |
| 3 | . | | 1A1540-61500 | HITCH COMP | 1 | | | | | 1 |
| 4 | . | | 26107-080552 | BCLT | 3 | | | | | 5 |
| 5 | . | | 26367-080002 | NUT | 3 | | | | | 2 |
| 6 | . | | 1A1540-61000 | FRAME L COMP | 1 | | | | | 1 |
| 7 | . | | 1A1540-61100 | FRAME R COMP | 1 | | | | | 1 |
| 8 | . | | 22137-080000 | WASHER 8 | 2 | | | | | 10 |
| 9 | . | | 26107-080352 | BCLT | 2 | | | | | 10 |
| 10 | . | | 26107-080502 | BOLT | 1 | | | | | 10 |
| 11 | . | | 26367-080002 | NUT | 2 | | | | | 2 |
| 12 | . | | 26367-080002 | NUT | 1 | | | | | 2 |
| 13 | . | | 1A1540-65000 | BUMPER COMP | 1 | | | | | 1 |
| 14 | . | | 22137-080000 | WASHER 8 | 2 | | | | | 10 |
| 15 | . | | 26107-080352 | BOLT | 2 | | | | | 10 |
| 16 | . | | 26367-080002 | NUT | 2 | | | | | 2 |
| 17 | . | | 1A1540-46010 | PIN 8X35 | 1 | | | | | 1 |
| 18 | . | | 1A1540-61550 | BAR | 1 | | | | | 1 |
| 19 | . | | 22360-080000 | SNAP PIN 8 | 1 | | | | | 30 |

Parts Catalog NO.
 NPC-1378

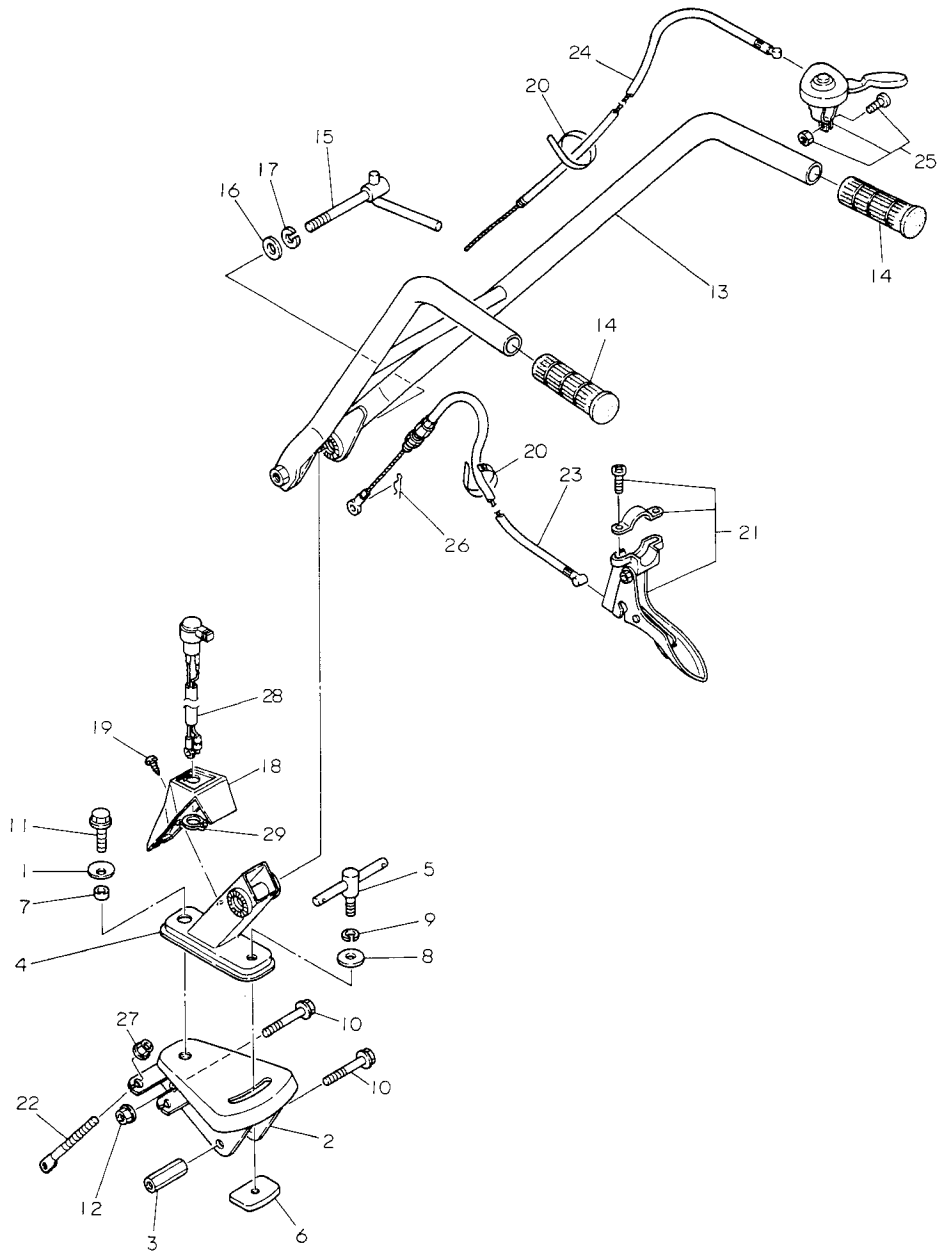
Control Code
 DA1540-32000

MODEL A YK200FE
 MODEL B YK200F

9. HANDLE

Date Renewed
 Date Prepared 81.07.14

9. HANDLE



| REF. NO. | LEVEL | ORDER DIV. | PART NO. | DESCRIPTION | Q'TY | ENTER. CAPABILITY | MODEL DIV. | EFFECTIVE MACHINE NO. | PKG. UNIT | AP DIV. |
|----------|-------|------------|--------------|---------------------|------|-------------------|------------|-----------------------|-----------|---------|
| | | | | | | | | | | |
| 1 | - | | 1A1102-51460 | HANDLE ARM WASHER | 1 | | | | 2 | |
| 2 | - | | 1A1540-51010 | BASE, HANDLE | 1 | | | | 1 | |
| 3 | - | | 1A1540-51060 | NUT | 1 | | | | 1 | |
| 4 | - | | 1A1540-51100 | COLUMN, HANDLE | 1 | | | | 1 | |
| 5 | - | | 1A1540-52000 | BOLT, HANDLE | 1 | | | | 1 | |
| 6 | - | | 1A1540-52020 | NUT | 1 | | | | 1 | |
| 7 | - | | 1A1540-53000 | COLLAR | 1 | | | | 1 | |
| 8 | - | | 101140-11420 | WASHER, PULLEY | 1 | | | | 2 | |
| 9 | - | | 22217-080000 | SPRING WASHER 8 | 1 | | | | 50 | |
| 10 | - | | 26107-080552 | BOLT | 2 | | | | 5 | |
| 11 | - | | 26137-100252 | BOLT | 1 | | | | 10 | |
| 12 | - | | 26367-080002 | NUT | 1 | | | | 2 | |
| 13 | - | | 1A1540-51400 | HANDLE, BAR | 1 | | | | 1 | |
| 14 | - | | 1A1540-51630 | GRIP, HANDLE | 2 | | | | 1 | |
| 15 | - | | 1A1540-52090 | BOLT, HANDLE | 1 | | | | 1 | |
| 16 | - | | 22137-100000 | WASHER 10 | 1 | | | | 20 | |
| 17 | - | | 22217-100000 | SPRING WASHER 10 | 1 | | | | 100 | |
| 18 | - | | 1A1540-58000 | COVER, HANDLE | 1 | | | | 1 | |
| 19 | - | | 22857-500140 | TAPPING SCREW, 5X14 | 1 | | | | 20 | |
| 20 | - | | 1A1105-54670 | BAND CABLE | 2 | | | | 2 | |
| 21 | - | | 1A1310-17000 | LEVER, MAIN CLUTCH | 1 | | | | 1 | |
| 22 | - | | 1A1101-59070 | BOLT, ADJUST | 1 | | | | 1 | |
| 23 | - | | 1A1540-18000 | CABLE, MAIN CLUTCH | 1 | | | | 1 | |
| 24 | - | | 1A1540-54400 | CABLE, THROTTLE | 1 | | | | 1 | |
| 25 | - | | 1A1540-57800 | LEVER, THROTTLE | 1 | | | | 1 | |
| 26 | - | | 22360-060000 | SNAP PIN 6 | 1 | | | | 30 | |
| 27 | - | | 26367-080002 | NUT | 1 | | | | 2 | |
| 28 | - | | 1A1540-54450 | SWITCH, STOP | 1 | | | | 1 | |
| 29 | - | | 22242-000170 | CIRCLIP 17-S | 1 | | | | 20 | |

Parts Catalog NO.
 NPC-1378

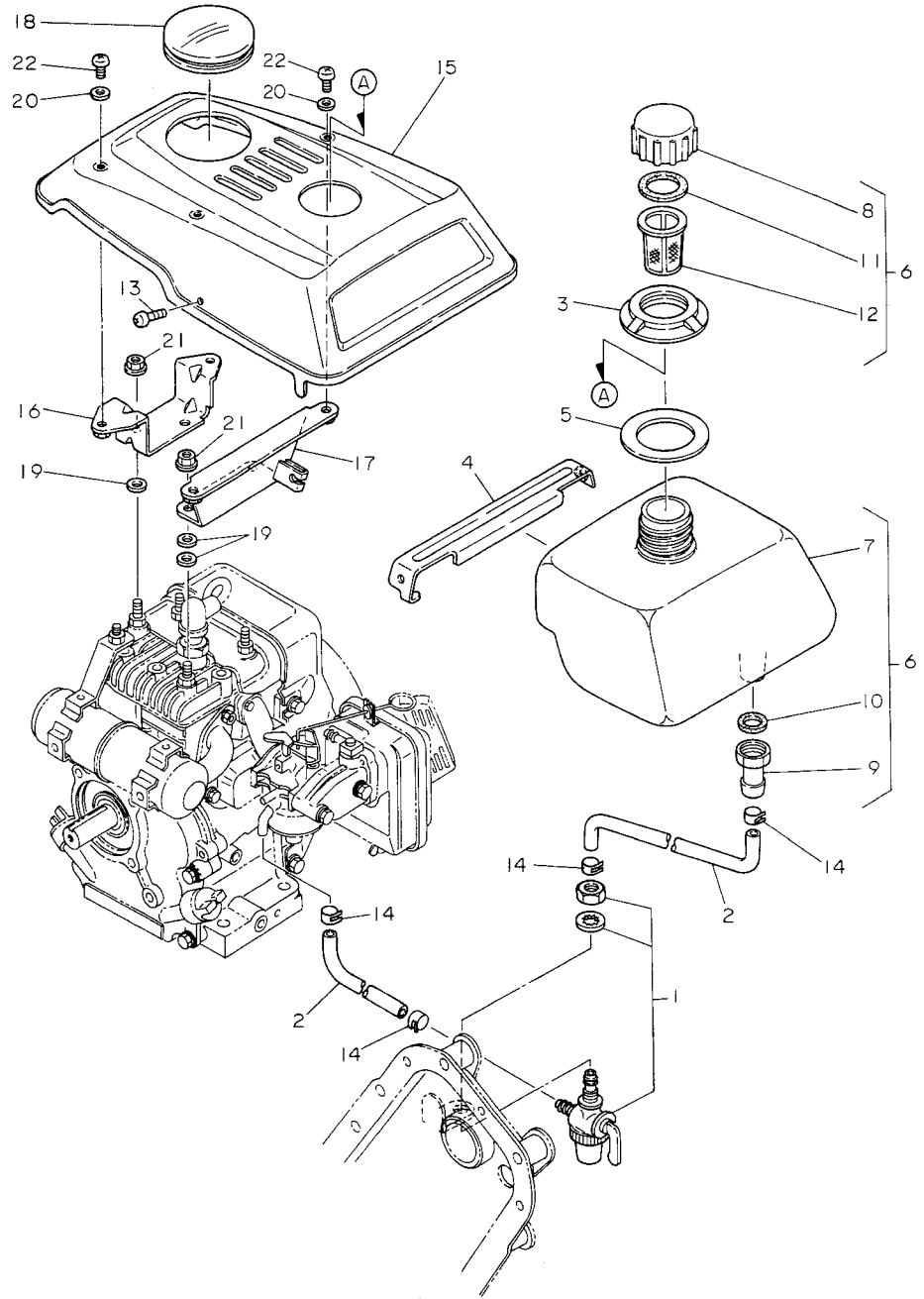
Control Code
 DA1540-51000

MODEL A YK200FE
 MODEL B YK200F

Date Renewed
 Date Prepared 81-07-14

10. FUEL TANK

10. FUEL TANK



| REF. NO. | LEVEL | QTY | PART NO. | DESCRIPTION | Q'TY | INTER. ASSEMBLY | MODEL DIV. | EFFECTIVE MACHINE NO. | PKG. UNIT | AP. DIV. |
|----------|-------|-----|--------------|---------------------|------|-----------------|------------|-----------------------|-----------|----------|
| 1 | - | 1 | 1A1540-62070 | COCK, FULE STRAINER | 1 | | | | 1 | |
| 2 | .. | 2 | 1A1540-62080 | PIPE | 2 | | | | 1 | |
| 3 | .. | 1 | 1A1540-62110 | RING | 1 | | | | 1 | |
| 4 | .. | 1 | 1A1540-62120 | BAND CGMP | 1 | | | | 1 | |
| 5 | .. | 1 | 1A1540-62140 | CUSHION, TANK | 1 | | | | 1 | |
| 6 | - | 1 | 1A1540-62160 | TANK ASSY, FULE | 1 | | | | 1 | |
| 7 | .. | 1 | 1A1540-62090 | TANK, FULE | 1 | | | | 1 | |
| 8 | .. | 1 | 1A1540-62170 | CAP, FULE TANK | 1 | | | | 1 | |
| 9 | .. | 1 | 1D2040-14050 | FUEL SOCKET | 1 | | | | 2 | |
| 10 | .. | 1 | 1D2040-14060 | PACKING | 1 | | | | 1 | |
| 11 | .. | 1 | 1D2040-48010 | PACKING | 1 | | | | 5 | |
| 12 | .. | 1 | 1D2042-41200 | FUEL STRAINER | 1 | | | | 1 | |
| 13 | .. | 2 | 26557-050102 | SCREW 5X10 | 2 | | | | 10 | |
| 14 | .. | 4 | 23080-010000 | CLAMP | 4 | | | | 10 | |
| 15 | .. | 1 | 1A1540-62150 | BONNET | 1 | | | | 1 | |
| 16 | .. | 1 | 1A1540-62270 | FRONT STAY | 1 | | | | 1 | |
| 17 | .. | 1 | 1A1540-62300 | REAR STAY | 1 | | | | 1 | |
| 18 | .. | 1 | 1C6054-61290 | PLUG CAP | 1 | | | | 1 | |
| 19 | .. | 6 | 22117-060000 | WASHER 6 | 6 | | | | 100 | |
| 20 | .. | 4 | 22137-050000 | WASHER 5 | 4 | | | | 50 | |
| 21 | .. | 4 | 26367-060002 | NUT | 4 | | | | 30 | |
| 22 | .. | 4 | 26557-050102 | SCREW 5X10 | 4 | | | | 10 | |

Parts Catalog NO.
 NPC-1378

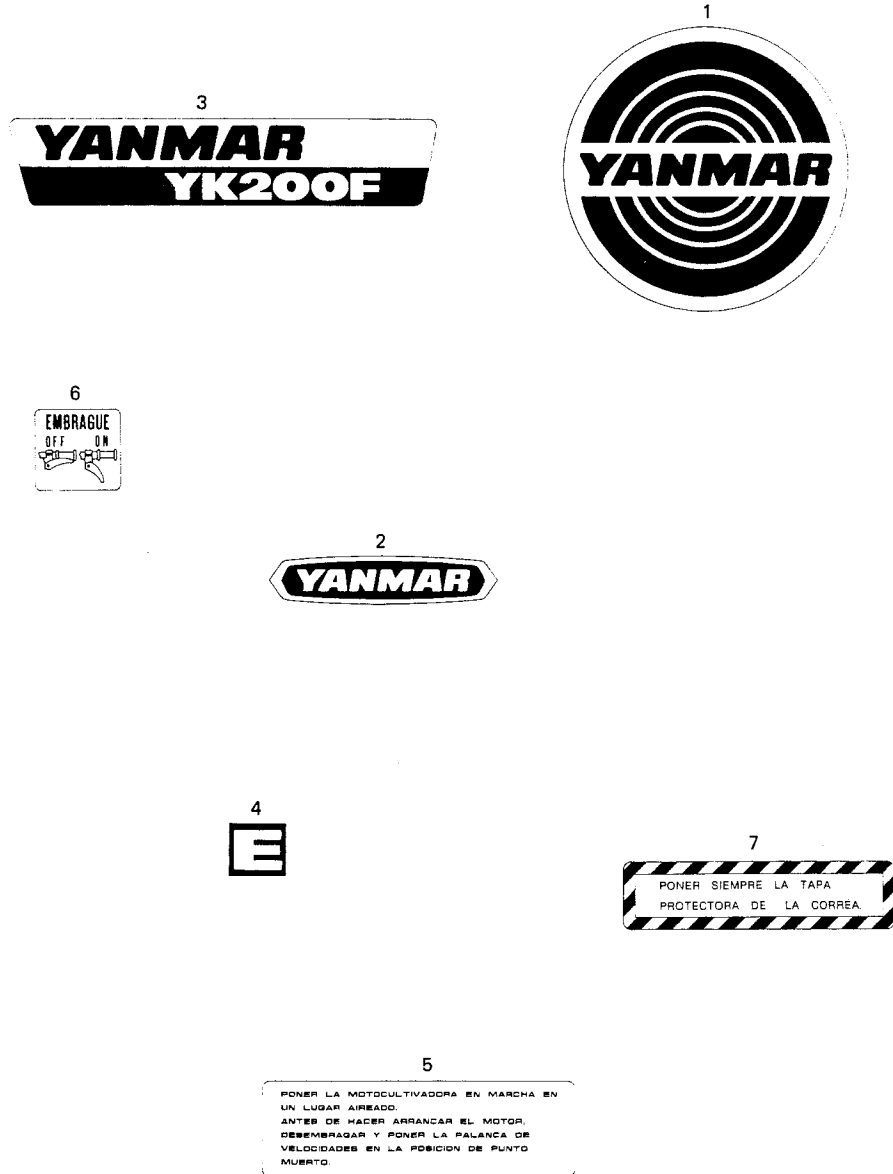
Control Code
 DA1540-63000

MODEL ^A YK20GFE
_B

Date Renewed
 Date Prepared 81-07-14

11. LABEL 1 (SPANISH)

11. LABEL 1 (SPANISH)



| REF. NO. | LEVEL | ORDER UNIT | PART NO. | DESCRIPTION | Q'TY | ENTER QUANTITY IN THIS COLUMN | MODEL DIV. | EFFECTIVE MACHINE NO. | PKG. UNIT | AS B'Y |
|----------|-------|------------|--------------|-------------|------|-------------------------------|------------|-----------------------|-----------|--------|
| 1 | . | | 1A1540-88010 | LABEL | 1 | | | | | 1 |
| 2 | . | | 1A1540-88040 | LABEL | 1 | | | | | 1 |
| 3 | . | | 1A1540-88800 | LABEL | 1 | | | | | 1 |
| 4 | . | | 1A1540-88810 | LABEL | 1 | | | | | 1 |
| 5 | . | | 1A1107-88830 | LABEL | 1 | | | | | 1 |
| 6 | - | | 1A1540-88830 | LABEL | 1 | | | | | 1 |
| 7 | - | | 1A1107-88840 | LABEL | 1 | | | | | 1 |

Parts Catalog NO.
 NPC-1378

Control Code
 DA1540-86710

MODEL A
B YK200F

Date Renewed
Date Prepared 81-07-14

12. LABEL 2 (FRENCH)

12. LABEL 2 (FRENCH)



4

METTRE LE MOTOCULTEUR EN MARCHÉ
DANS UN ENDROIT AÉRIE.

AVANT DEMARRAGE DU MOTEUR, DEBRAYER
ET PLACER LE LEVIER DE VITESSES AU
POINT MORT.

6

METTRE LE PROTECTEUR DE COURROIE
AVANT UTILISATION

| REF. NO. | LEVEL | ORDER DIV. | PART NO. | DESCRIPTION | Q'TY | INTER. ABILITY | MODEL DIV. | EFFECTIVE MACHINE NO. | PKG. UNIT | AP DIV. |
|----------|-------|------------|--------------|-------------|------|----------------|------------|-----------------------|-----------|---------|
| 1 | . | | 1A1540-88010 | LABEL | 1 | | | | | 1 |
| 2 | . | | 1A1540-88040 | LABEL | 1 | | | | | 1 |
| 3 | . | | 1A1540-88800 | LABEL | 1 | | | | | 1 |
| 4 | . | | 1A1107-88130 | LABEL | 1 | | | | | 1 |
| 5 | . | | 1A1540-88880 | LABEL | 1 | | | | | 1 |
| 6 | . | | 1A1107-88650 | LABEL | 1 | | | | | 1 |

Parts Catalog NO.
NPC-1378

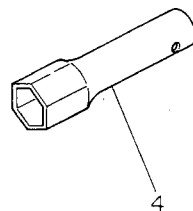
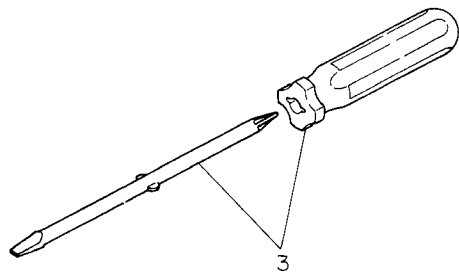
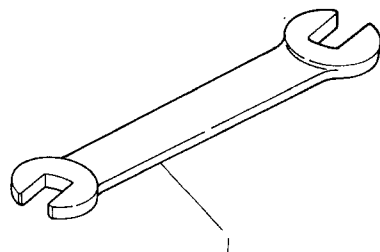
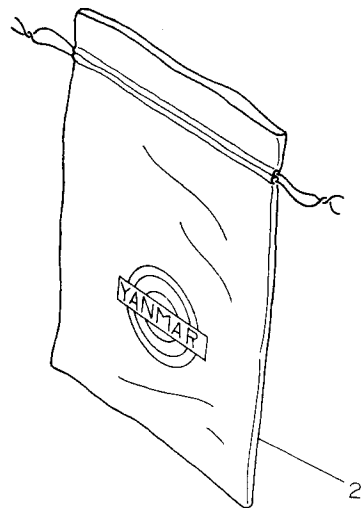
Control Code
DA1540-86720

| | |
|---------|---------|
| MODEL A | YK200FE |
| MODEL B | YK200F |

| | |
|---------------|----------|
| Date Renewed | |
| Date Prepared | 81-07-14 |

13. TOOLS

13. TOOLS



| REF. NO. | LEVEL | QTY | PART NO. | DESCRIPTION | QTY | INTER. CHANG. UNIT | MODEL DIV. | EFFECTIVE MACHINE NO. | PKG. UNIT | APPLY |
|----------|-------|-----|--------------|--------------|-----|--------------------|------------|-----------------------|-----------|-------|
| 1 | . | | 1A1540-87050 | WRENCH 10X12 | 1 | | | | 1 | |
| 2 | . | | 1D1510-18090 | TOOL BAG | 1 | | | | 1 | |
| 3 | . | | 1D2040-87060 | SCREWDRIVER | 1 | | | | 1 | |
| 4 | . | | 28227-191400 | WRENCH | 1 | | | | 1 | |

| |
|-------------------|
| Parts Catalog NO. |
| NPC-1378 |

| |
|--------------|
| Control Code |
| DA1540-87000 |

PARTS No. INDEX

All parts of this Parts Catalog is arranged by Part No. order
(depending on the spot where the model is used).

If you want to know by Part No. where your object part is used,
please use this Parts Catalog.

| PART No. | DESCRIPTION | QTY | INDEX No. | LOCATION No. |
|--------------|---------------------|-----|-----------|--------------|
| 1A1101-59070 | BOLT,ADJUST | 1 | 9-22 | |
| 1A1102-51460 | HANDLE ARM WASHER | 1 | 9- 1 | |
| 1A1105-2320U | LINER 30X20.2X10 | 1 | 7-23 | |
| 1A1105-54670 | BAND CABLE | 2 | 9-20 | |
| 1A1107-88130 | LABEL | 1 | 12- 4 | |
| 1A1107-88650 | LABEL | 1 | 12- 6 | |
| 1A1107-88830 | LABEL | 1 | 11- 5 | |
| 1A1107-88840 | LABEL | 1 | 11- 7 | |
| 1A1310-17000 | LEVER,MAIN CLUTCH | 1 | 9-21 | |
| 1A1400-11000 | PULLEY MAIN | 1 | 6- 7 | |
| 1A1400-16000 | SPRING 17.2X59 | 1 | 6-13 | |
| 1A1400-66400 | BOLT,KNOB 8X15 | 1 | 6-20 | |
| 1A1540-11200 | ARM COMP,TENSION | 1 | 6-14 | |
| 1A1540-14000 | ROLLER COMP,TENSION | 1 | 6-15 | |
| 1A1540-16400 | BOLT,TENSION | 1 | 6-16 | |
| 1A1540-18000 | CABLE,MAIN CLUTCH | 1 | 9-23 | |
| 1A1540-21000 | HOUSING,MISSION (L) | 1 | 7- 1 | |
| 1A1540-21150 | HOUSING,MISSION (R) | 1 | 7- 2 | |
| 1A1540-23000 | SHAFT,MAIN | 1 | 7- 9 | |
| 1A1540-23010 | SUB-SHAFT | 1 | 7-13 | |
| 1A1540-23010 | SUB-SHAFT | 1 | 7-14 | |
| 1A1540-23020 | WHEEL SHAFT | 1 | 7-24 | |
| 1A1540-23100 | SPACER | 2 | 7-15 | |
| 1A1540-23100 | SPACER | 2 | 7-16 | |
| 1A1540-23120 | COLLAR | 1 | 7-25 | |
| 1A1540-23130 | COVER | 2 | 7-26 | |
| 1A1540-24000 | GEAR 13X26 | 1 | 7-17 | |
| 1A1540-24030 | END-SHAFT | 1 | 7-18 | |
| 1A1540-24100 | CHAIN 12.7X48 | 1 | 7-27 | |
| 1A1540-28000 | PACKING,HOUSING | 1 | 7- 3 | |
| 1A1540-28100 | CAP,OIL | 1 | 7- 4 | |
| 1A1540-28250 | SEAL,OIL 20X40X10 | 2 | 7-28 | |
| 1A1540-46010 | PIN 8X35 | 1 | 8-17 | |
| 1A1540-51010 | BASE,HANDLE | 1 | 9- 2 | |
| 1A1540-51060 | NUT | 1 | 9- 3 | |
| 1A1540-51100 | COLUMN,HANDLE | 1 | 9- 4 | |
| 1A1540-51400 | HANDLE,BAR | 1 | 9-13 | |
| 1A1540-51630 | GRIP,HANDLE | 2 | 9-14 | |
| 1A1540-52000 | BOLT,HANDLE | 1 | 9- 5 | |
| 1A1540-52020 | NUT | 1 | 9- 6 | |
| 1A1540-52090 | BOLT,HANDLE | 1 | 9-15 | |
| 1A1540-53000 | COLLAR | 1 | 9- 7 | |
| 1A1540-54400 | CABLE,THROTTLE | 1 | 9-24 | |
| 1A1540-54450 | SWITCH,STOP | 1 | 9-28 | |
| 1A1540-57800 | LEVER,THROTTLE | 1 | 9-25 | |

| PART No. | DESCRIPTION | QTY | INDEX No. | LOCATION No. |
|--------------|--------------------|-----|-----------|--------------|
| 1A1540-58000 | COVER,HANDLE | 1 | 9-18 | |
| 1A1540-61000 | FRAME L COMP | 1 | 8- 6 | |
| 1A1540-61100 | FRAME R COMP | 1 | 8- 7 | |
| 1A1540-61150 | FENDER COMP | 1 | 8- 1 | |
| 1A1540-61500 | HITCH COMP | 1 | 8- 3 | |
| 1A1540-61550 | BAR | 1 | 8-18 | |
| 1A1540-62030 | COVER,MUFFLER | 1 | 6- 1 | |
| 1A1540-62070 | COCK,FULE STRAINER | 1 | 10- 1 | |
| 1A1540-62080 | PIPE | 2 | 10- 2 | |
| 1A1540-62090 | TANK,FULE | 1 | 10- 7 | |
| 1A1540-62110 | RING | 1 | 10- 3 | |
| 1A1540-62120 | BAND COMP | 1 | 10- 4 | |
| 1A1540-62140 | CUSHION,TANK | 1 | 10- 5 | |
| 1A1540-62150 | BONNET | 1 | 10-15 | |
| 1A1540-62160 | TANK ASSY,FULE | 1 | 10- 6 | |
| 1A1540-62170 | CAP,FULE TANK | 1 | 10- 8 | |
| 1A1540-62270 | FRONT STAY | 1 | 10-16 | |
| 1A1540-62300 | REAR STAY | 1 | 10-17 | |
| 1A1540-62400 | PULLEY,ENGINEER | 1 | 6- 5 | |
| 1A1540-62450 | RETAINER,BELT | 1 | 6- 8 | |
| 1A1540-64000 | COVER,BELT | 1 | 6-21 | |
| 1A1540-64020 | BRACKET,BELT COVER | 1 | 6-22 | |
| 1A1540-64030 | STAY,BELT COVER | 1 | 6-23 | |
| 1A1540-64070 | GUARD,PULLEY | 1 | 6-24 | |
| 1A1540-64500 | V-BELT LA31 | 1 | 6- 6 | |
| 1A1540-65000 | BUMPER COMP | 1 | 8-13 | |
| 1A1540-87050 | WRENCH 10X12 | 1 | 13- 1 | |
| 1A1540-88010 | LABEL | 1 | 11- 1 | |
| 1A1540-88010 | LABEL | 1 | 12- 1 | |
| 1A1540-88040 | LABEL | 1 | 11- 2 | |
| 1A1540-88040 | LABEL | 1 | 12- 2 | |
| 1A1540-88800 | LABEL | 1 | 11- 3 | |
| 1A1540-88800 | LABEL | 1 | 12- 3 | |
| 1A1540-88810 | LABEL | 1 | 11- 4 | |
| 1A1540-88830 | LABEL | 1 | 11- 6 | |
| 1A1540-88880 | LABEL | 1 | 12- 5 | |
| 1C6020-73090 | WASHER 7 | 1 | 6- 9 | |
| 1C6054-61290 | PLUG CAP | 1 | 10-18 | |
| 1D1140-11420 | WASHER,PULLEY | 1 | 9- 8 | |
| 1D1510-18090 | TOOL BAG | 1 | 13- 2 | |
| 1D2040-14050 | FUEL SOCKET | 1 | 10- 9 | |
| 1D2040-14060 | PACKING | 1 | 10-10 | |
| 1D2040-48010 | PACKING | 1 | 10-11 | |
| 1D2040-87060 | SCREWDRIVER | 1 | 13- 3 | |
| 1D2042-41200 | FUEL STRAINER | 1 | 10-12 | |

3

PART INDEX

DATE
REMOVED 81-07-17
DATE
PREPARED 81-07-14

| PART No. | DESCRIPTION | QTY | INDEX No. | LOCATION No. |
|--------------|-----------------|-----|-----------|--------------|
| 1H6020-60170 | BUSH, RUBBER | 2 | 6-25 | |
| 1Z0011-06220 | BOLT 6X22 | 1 | 5- 5 | |
| 1Z0014-06180 | BOLT | 1 | 1-34 | |
| 1Z0015-06100 | BOLT | 4 | 3- 5 | |
| 1Z0015-06120 | BOLT | 1 | 1-32 | |
| 1Z0015-06120 | BOLT | 2 | 5-15 | |
| 1Z0015-06220 | BOLT | 5 | 1-14 | |
| 1Z0016-06100 | BOLT | 3 | 3-25 | |
| 1Z0046-10000 | WASHER TOOTHED | 1 | 5-33 | |
| 1Z0050-04250 | KEY | 1 | 2-10 | |
| 1Z0056-06120 | PIN, DOWEL | 2 | 1- 6 | |
| 1Z0070-07370 | TUBE RUBBER | 1 | 4-28 | |
| 1Z0070-43550 | TUBE | 1 | 5-34 | |
| 1Z0075-06000 | GASKET | 2 | 4-26 | |
| 1Z0075-14420 | GASKET | 1 | 1-21 | |
| 1Z2750-23710 | KEY | 1 | 2-11 | |
| 1Z2750-23830 | WASHER, PULLEY | 1 | 1-29 | |
| 1Z2750-23830 | WASHER, PULLEY | 1 | 1-35 | |
| 1Z2750-61160 | SPRING | 1 | 4-12 | |
| 1Z2751-65100 | FILTER ASSY | 1 | 5-26 | |
| 1Z2751-65170 | SCREW | 1 | 5-31 | |
| 1Z2751-65180 | GASKET | 1 | 5-28 | |
| 1Z2751-65190 | STRAINER | 1 | 5-29 | |
| 1Z2751-65210 | POT | 1 | 5-27 | |
| 1Z2751-65220 | NUT, RING | 1 | 5-30 | |
| 1Z2751-65270 | NUT | 1 | 5-32 | |
| 1Z2759-61120 | JET, PILOT | 1 | 4- 2 | |
| 1Z2769-15330 | ELBOW | 1 | 4-27 | |
| 1Z2801-34540 | HANDEL | 1 | 3-24 | |
| 1Z3122-61160 | SPRING | 1 | 4-14 | |
| 1Z3650-61140 | SCREW PILOT | 1 | 4-11 | |
| 1Z3679-15320 | CLIP | 1 | 4-29 | |
| 1Z3679-15320 | CLIP | 4 | 5-35 | |
| 1Z4401-13410 | PIPE | 1 | 4-30 | |
| 1Z4401-34440 | SPRING RETURN | 1 | 3-20 | |
| 1Z4401-34450 | PAWL | 1 | 3-19 | |
| 1Z4401-34460 | SPRING | 1 | 3-18 | |
| 1Z4401-34490 | RETAINER | 1 | 3-17 | |
| 1Z4401-34520 | SPRING RECOIL | 1 | 3-22 | |
| 1Z4401-51210 | SLEEVE GOVERNOR | 1 | 5-24 | |
| 1Z4401-51350 | WASHER | 1 | 5-25 | |
| 1Z4401-53210 | SPRING | 2 | 5-20 | |
| 1Z4401-53830 | WASHER | 1 | 5-17 | |
| 1Z4401-53850 | NUT | 1 | 5-18 | |
| 1Z4401-53880 | SPRING | 1 | 5-19 | |

1H6020-60170 1Z4401-53880

4

PART INDEX

DATE
REMOVED 81-07-17
DATE
PREPARED 81-07-14

| PART No. | DESCRIPTION | QTY | INDEX No. | LOCATION No. |
|--------------|----------------------|-----|-----------|--------------|
| 1Z4401-74110 | GAUGE OIL | 2 | 1-15 | |
| 1Z4401-74411 | PLUG, DRAIN | 1 | 1- 8 | |
| 1Z4401-81640 | GRCMMET | 1 | 3-11 | |
| 1Z4413-13160 | BOLT | 2 | 4-37 | |
| 1Z4414-08260 | LABEL | 1 | 4-39 | |
| 1Z4491-84100 | PLUG, SPARK | 1 | 1-37 | |
| 1Z4496-53120 | NUT | 1 | 5-12 | |
| 1Z4499-61220 | VALVE NEEDLE | 1 | 4- 3 | |
| 1Z4499-61270 | PIN FLOAT | 1 | 4- 4 | |
| 1Z4499-61590 | GASKET | 1 | 4- 9 | |
| 1Z4501-11110 | HEAD, CYLINDER | 1 | 1- 1 | |
| 1Z4501-11210 | GASKET | 1 | 1- 2 | |
| 1Z4501-12310 | COVER, INSPECTION | 1 | 1-30 | |
| 1Z4501-12320 | GASKET | 1 | 1-31 | |
| 1Z4501-16320 | COVER, CYLINDER | 1 | 1- 9 | |
| 1Z4501-21100 | VALVE, INLET | 1 | 2-12 | |
| 1Z4501-21120 | VALVE, EXHAUST | 1 | 2-13 | |
| 1Z4501-21130 | SPRING, VALVE | 2 | 2-14 | |
| 1Z4501-21160 | RETAINER | 2 | 2-15 | |
| 1Z4501-22110 | TAPPET | 2 | 2-16 | |
| 1Z4501-23110 | CAM GEAR ASSY | 1 | 2-17 | |
| 1Z4501-31110 | PISTON | 1 | 2- 1 | |
| 1Z4501-31210 | PIN, PISTON | 1 | 2- 3 | |
| 1Z4501-31220 | RING, SANP | 2 | 2- 4 | |
| 1Z4501-32400 | CONNECTING ROD ASSY | 1 | 2- 5 | |
| 1Z4501-32450 | BOLT, CONNECTING ROD | 2 | 2- 6 | |
| 1Z4501-32480 | WASHER, LOCK | 1 | 2- 7 | |
| 1Z4501-32490 | ARM | 1 | 2- 8 | |
| 1Z4501-34320 | PULLEY | 1 | 3-15 | |
| 1Z4501-34410 | REEL, RECOIL | 1 | 3-21 | |
| 1Z4501-34470 | SCREW | 1 | 3-16 | |
| 1Z4501-34820 | WASHER | 1 | 3-13 | |
| 1Z4501-41101 | CRANK CASE ASSY | 1 | 1- 3 | |
| 1Z4501-41200 | SIDE BASE ASSY | 1 | 1-11 | |
| 1Z4501-41240 | GASKET | 1 | 1-13 | |
| 1Z4501-42110 | BEARING | 1 | 1- 4 | |
| 1Z4501-42110 | BEARING | 1 | 1-12 | |
| 1Z4501-42310 | SEAL, OIL | 1 | 1-33 | |
| 1Z4501-42310 | SEAL, OIL | 1 | 1-36 | |
| 1Z4501-51100 | GOVERNOR ASSY | 1 | 5-23 | |
| 1Z4501-51220 | TIP, GOVERNOR | 1 | 5- 1 | |
| 1Z4501-53110 | LEVER, CONTRL | 1 | 5-11 | |
| 1Z4501-53140 | SPRING, GOVERNOR | 1 | 5-10 | |
| 1Z4501-53350 | BRACKET | 1 | 5-14 | |
| 1Z4501-53890 | PLATE | 1 | 5-16 | |

1Z4401-74110 1Z4501-53890

5

PART INDEX

DATE RENEWED 81.07.17
DATE PREPARED 81.07.14

| PART No. | DESCRIPTION | Q'TY | INDEX No. | LOCATION No. |
|--------------|---------------------|------|-----------|--------------|
| 124501-61840 | GASKET | 2 | 4-18 | |
| 124501-81370 | BRACKET | 1 | 3- 8 | |
| 124594-08130 | LABEL | 1 | 3- 3 | |
| 124594-08140 | LABEL | 1 | 3- 4 | |
| 124594-08270 | LABEL | 1 | 4-38 | |
| 124595-13100 | AIR CLEANER ASSY | 1 | 4-32 | |
| 124595-13110 | CASE,AIR CLEANER | 1 | 4-36 | |
| 124595-13120 | ELEMENT | 1 | 4-34 | |
| 124595-13130 | PLATE,AIR CLEANER | 1 | 4-35 | |
| 124595-13210 | COVER,AIR CLEANER | 1 | 4-33 | |
| 124595-13310 | PIPE,INLET | 1 | 4-24 | |
| 124595-13320 | GASKET | 1 | 4-31 | |
| 124595-14100 | MUFFLER ASSY | 1 | 1-22 | |
| 124595-16110 | CASE, SPIRAL | 1 | 3- 1 | |
| 124595-16310 | COVER,CYLINDER HEAD | 1 | 1-17 | |
| 124595-34300 | RECOIL STARTER ASSY | 1 | 3-14 | |
| 124595-41650 | BOLT | 1 | 1-25 | |
| 124595-55130 | LINK | 1 | 4-40 | |
| 124595-61000 | CARBURETOR ASSY | 1 | 4- 1 | |
| 124595-61260 | FLCAT | 1 | 4- 5 | |
| 124595-61320 | JET,MAIN | 1 | 4- 7 | |
| 124595-74410 | PLUG | 1 | 1- 7 | |
| 124595-85110 | SWITCH,STOP | 1 | 5-36 | |
| 124596-08110 | LABEL | 1 | 3- 2 | |
| 124596-11810 | BOLT | 5 | 1-18 | |
| 124596-32110 | CRANK SHAF ASSY | 1 | 2- 9 | |
| 124596-34530 | ROPE | 1 | 3-23 | |
| 124596-53170 | SPRING,RETURN | 1 | 5-22 | |
| 124596-61290 | NOZZLE,MAIL | 1 | 4- 8 | |
| 124596-61430 | BOLT | 1 | 4-10 | |
| 124596-81110 | FLYWHEEL | 1 | 3- 6 | |
| 124596-84650 | IGNITER | 1 | 3- 7 | |
| 124598-30100 | PISTON RING SET | 1 | 2- 2 | |
| 124598-61280 | GASKET | 1 | 4- 6 | |
| 124599-13320 | GASKET | 1 | 4-23 | |
| 124599-52100 | ARM,GOVERNOR | 1 | 5- 4 | |
| 124599-52310 | LINK,COVERNGR | 1 | 5- 8 | |
| 124599-52320 | RING,SPRING | 1 | 5- 9 | |
| 124599-61810 | INSULATOR | 1 | 4-17 | |
| 124599-61820 | PIPE,INLET | 1 | 4-16 | |
| 124599-61850 | GASKET | 1 | 4-15 | |
| 125470-61330 | SCREW DRAIN | 1 | 4-13 | |
| 125479-08220 | LABEL | 1 | 4-42 | |
| 125479-08510 | LABEL | 1 | 4-43 | |
| 127196-55150 | GRCPMET | 1 | 4-41 | |

124501-61840 127196-55150

6

PART INDEX

DATE RENEWED 81.07.17
DATE PREPARED 81.07.14

| PART No. | DESCRIPTION | Q'TY | INDEX No. | LOCATION No. |
|--------------|---------------------|------|-----------|--------------|
| 127270-84180 | CAP PLUG | 1 | 1-38 | |
| 127270-84190 | SPRING | 1 | 1-39 | |
| 22117-060000 | WASHER 6 | 5 | 1-19 | |
| 22117-060000 | WASHER 6 | 1 | 1-28 | |
| 22117-060000 | WASHER 6 | 1 | 5- 3 | |
| 22117-060000 | WASHER 6 | 6 | 10-19 | |
| 22137-050000 | WASHER 5 | 4 | 6- 2 | |
| 22137-050000 | WASHER 5 | 4 | 10-20 | |
| 22137-060000 | WASHER 6 | 2 | 1-24 | |
| 22137-060000 | WASHER 6 | 3 | 1-27 | |
| 22137-060000 | WASHER 6 | 2 | 4-22 | |
| 22137-060000 | WASHER 6 | 1 | 5- 7 | |
| 22137-080000 | WASHER 8 | 1 | 6-26 | |
| 22137-080000 | WASHER 8 | 2 | 7-19 | |
| 22137-080000 | WASHER 8 | 2 | 7-20 | |
| 22137-080000 | WASHER 8 | 2 | 8- 8 | |
| 22137-080000 | WASHER 8 | 2 | 8-14 | |
| 22137-100000 | WASHER 10 | 1 | 9-16 | |
| 22217-050000 | SPRING WASHER 5 | 4 | 6- 3 | |
| 22217-080000 | SPRING WASHER 8 | 1 | 6-27 | |
| 22217-080000 | SPRING WASHER 8 | 1 | 9- 9 | |
| 22217-100000 | SPRING WASHER 10 | 1 | 9-17 | |
| 22242-000100 | CIRCLIP 10-S | 2 | 6-17 | |
| 22242-000140 | CIRCLIP 14-S | 1 | 6-18 | |
| 22242-000170 | CIRCLIP 17-S | 1 | 9-29 | |
| 22360-060000 | SNAP PIN 6 | 1 | 5- 2 | |
| 22360-060000 | SNAP PIN 6 | 1 | 9-26 | |
| 22360-080000 | SNAP PIN 8 | 1 | 8-19 | |
| 22512-040302 | KEY | 1 | 6-10 | |
| 22857-500140 | TAPPING SCREW,5X14 | 1 | 9-19 | |
| 23080-010000 | CLAMP | 4 | 10-14 | |
| 24101-062014 | BALL BEARING 6201 | 1 | 7-10 | |
| 24101-062044 | BALL BEARING 6204 | 2 | 7-29 | |
| 24104-060024 | BALL BEARING 6002UU | 1 | 7-11 | |
| 24311-000150 | O-RING P-15 | 2 | 1-16 | |
| 24421-153007 | SEAL 15307 | 1 | 7-12 | |
| 26013-060402 | BOLT 6X40 | 3 | 1- 5 | |
| 26021-050102 | SCREW 5X10 | 1 | 1-10 | |
| 26107-050102 | BOLT | 1 | 3- 9 | |
| 26107-050202 | BOLT | 2 | 3-10 | |
| 26107-060122 | BOLT 6X12 | 1 | 6-28 | |
| 26107-060122 | BOLT 6X12 | 16 | 7- 5 | |
| 26107-060122 | BOLT 6X12 | 2 | 8- 2 | |
| 26107-060202 | BOLT | 1 | 6-11 | |
| 26107-080142 | BOLT | 2 | 6-12 | |

127270-84180 26107-080142

7

PART INDEX

| | |
|---------------|----------|
| DATE RENEWED | 81.07.17 |
| DATE PREPARED | 81.07.14 |

| PART No. | DESCRIPTION | QTY | INDEX No. | LOCATION No. |
|--------------|-------------|-----|-----------|--------------|
| 26107-080142 | BOLT | 1 | 6-29 | |
| 26107-080142 | BOLT | 2 | 6-30 | |
| 26107-080142 | BOLT | 3 | 7- 6 | |
| 26107-080352 | BOLT | 2 | 8- 9 | |
| 26107-080352 | BOLT | 2 | 8-15 | |
| 26107-080502 | BOLT | 1 | 8-10 | |
| 26107-080552 | BOLT | 3 | 8- 4 | |
| 26107-080552 | BOLT | 2 | 9-10 | |
| 26116-060902 | BOLT 6X90 | 2 | 4-25 | |
| 26137-100252 | BOLT | 1 | 9-11 | |
| 26216-060352 | STUD | 1 | 4-20 | |
| 26217-060162 | STUD 6X16 | 2 | 1-20 | |
| 26217-060202 | STUD 6X20 | 1 | 4-19 | |
| 26367-060002 | NUT | 16 | 7- 7 | |
| 26367-060002 | NUT | 4 | 10-21 | |
| 26367-080002 | NUT | 1 | 6-19 | |
| 26367-080002 | NUT | 3 | 7- 8 | |
| 26367-080002 | NUT | 2 | 7-21 | |
| 26367-080002 | NUT | 2 | 7-22 | |
| 26367-080002 | NUT | 3 | 8- 5 | |
| 26367-080002 | NUT | 2 | 8-11 | |
| 26367-080002 | NUT | 1 | 8-12 | |
| 26367-080002 | NUT | 2 | 8-16 | |
| 26367-080002 | NUT | 1 | 9-12 | |
| 26367-080002 | NUT | 1 | 9-27 | |
| 26557-040082 | SCREW 4X8 | 1 | 5-13 | |
| 26557-040202 | SCREW 4X20 | 2 | 5-21 | |
| 26557-050082 | SCREW 5X8 | 4 | 6- 4 | |
| 26557-050102 | SCREW 5X10 | 2 | 10-13 | |
| 26557-050102 | SCREW 5X10 | 4 | 10-22 | |
| 26717-060002 | NUT 6 | 2 | 1-23 | |
| 26717-060002 | NUT 6 | 2 | 1-26 | |
| 26717-060002 | NUT 6 | 2 | 4-21 | |
| 26717-060002 | NUT 6 | 1 | 5- 6 | |
| 26747-120002 | NUT 12 | 1 | 3-12 | |
| 28227-191400 | WRENCH | 1 | 13- 4 | |

26107-080142 28227-191400